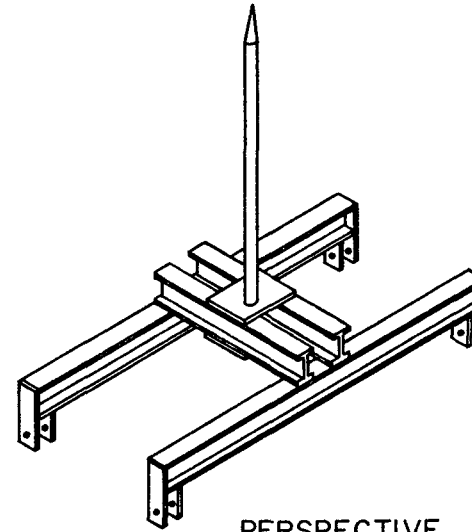
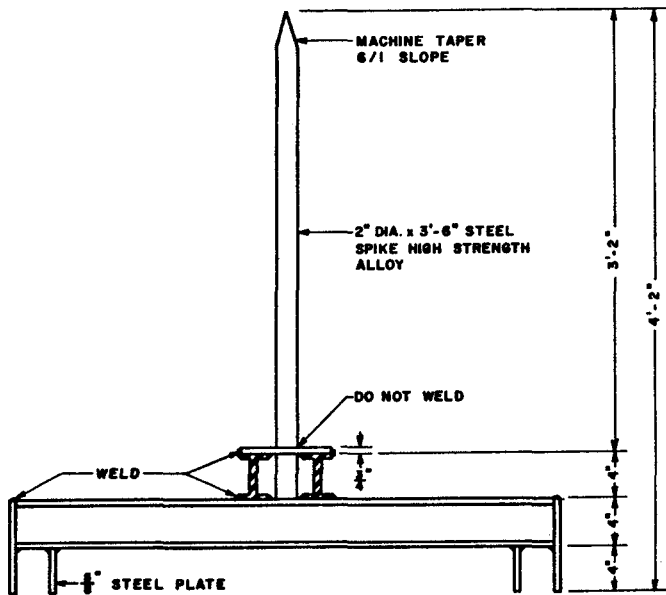


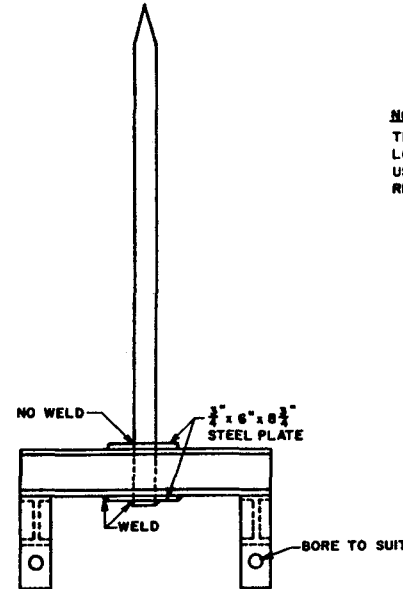
PLAN
SCALE: 1/2" = 1'-0"



PERSPECTIVE
NOT TO SCALE



SIDE ELEVATION
SCALE: 1/2" = 1'-0"



END ELEVATION
SCALE: 1/2" = 1'-0"

NOTE:
THIS HAY SPIKE SUITABLE FOR FRONT END LOADERS WITH TWO (2) ACTUATORS ONLY. USE WITH SINGLE ACTUATOR LOADER MAY RESULT IN DAMAGE TO LOADER.



HAY SPIKE

EX. 6329

SHEET 1 OF 1

NOTE: BASE ON UNIV. OF FLA PLAN NO. 926

Disclaimer

This site makes available conceptual plans that can be helpful in developing building layouts and selecting equipment for various agricultural applications. These plans do not necessarily represent the most current technology or construction codes. They are not construction plans and do not replace the need for competent design assistance in developing safe, legal and well-functioning agricultural building system. The LSU Agriculture Center, the Mid-West Plan Service, the United States Department of Agriculture and none of the cooperating land-grant universities warranty these plans.