



WOODSPLITTER
J31, K31
AHSHD, HSHD, J32, K32, J32
J34, K34, L34
AHSWD, HSWD, K36
Parts Catalog 8-2052

HOME

NOTE: This Catalog replaces Catalog 8-2051

TRACTORS

ATTACHMENTS

INDEX

PAINT

GENERAL INFO



APPLICATION CHART

Tractor Model *

Wood Splitter	220 222 224	444 446 448	644 646 648 6018	3010, 3012 3014,3016 3018	4014,4016 4018,4020	3118,4116 4118,4120
J31,K31	X	X				
J32, K32, L32		X (1) +	X (1)	X (1)	X (1)	
J34, K34, L34	X	X				
K36	X	X				
HSWD	X (2) +	X (2) +	X (2)	X (2)	X (2)	
HSHD		X (1) +	X (1)	X (1)	X (1)	
AHSWD	X (2)	X (2)	X (2)	X (2)	X (2)	X (2)
AHSHD		X (1)	X (1)	X (1)	X (1)	X (3)

- (1) Requires 3 pt hitch and hydraulic PTO
- (2) Requires hydraulic PTO
- (3) Requires 3 pt hitch

+ May require PTO valve modification (see page 21)

* Can not be used on following model tractors:

220 - PIN 9702946 to 9734870 444- PIN 9711027 to 9739739
 222 - PIN 9706651 to 9736998 446- PIN 9728158 to 9742953
 224 - PIN 9708665 to 9738335

INDEX

There is an index at the front and rear of this catalog. The front index is an alphabetical index of the major groups or assemblies.

The rear index is a numerical index of the part numbers and pages on which these numbers are shown.

ILLUSTRATION

Each illustration in this catalog shows a group of parts or components. These parts and components are aligned approximately as the parts and components on your machine. Each part and component in an illustration has a reference number. These reference numbers are in a list on the page opposite of the illustration. Next to the reference number is the part number, description and required quantity of the part shown in the illustration.

UAR - "Use as required" indicates that the part quantity is variable.

NSS - "Not sold separately" indicates that the part is only available as component of an assembly or the part must be purchased locally. If the part is an assembly component, the description will be indented under the assembly description in the parts list.

O/L - "Obtain locally"

- "Footnotes" are added to a part number when more information is needed for identification. They only relate to the part numbers indicated. All orders must include the following information:

PARTS ORDERS

1. Correct part number.
2. Complete description of part or component.
3. Total quantity of each part or component.
4. Product model number.
5. All necessary product identification numbers.
6. Method for sending the parts.
7. Complete and correct address.

CATALOG REVISIONS

As the product changes, new pages will be available for your catalog. A notice will be issued.

IMPORTANT: Put all revisions into the catalog as soon as possible.

RIGHT HAND AND LEFT HAND IDENTIFICATION

The words right hand (RH) and left hand (LH) as used in this catalog indicate the direction while you are in the operator's seat in the normal operating position.

INDENTED DESCRIPTIONS

An assembly can have many components. The components of an assembly are indicated by an indented description. The quantity for an indented part is the total needed for that complete assembly. See the example.

REF.	PART NO.	DESCRIPTION	REQ'D
	C 55159	CYLINDER ASSY - rear steering	1
28	C 56208	SOCKET ASSY - rear cylinder	1
29	C 55956	PLUG - adjusting, socket assy	1
30	C 55957	SEAT- socket, ball.....	2
31	C 56210	SPRING-socket	1
32	C 56209	SEAT - socket spring	1
33	G 45175	CLAMP ASSY - socket assy	1
	16- 836	BOLT-1/2"x2-1/4" N.F. hex.....	1
34	132- 104	PIN-cotter, 3/16"x3".....	1
35	C 55889	STUD - ball, socket & cylinder	2
36	13- 410	BOLT-1/4"x5/8"N.C.,hex	4
37	92- 4	LOCK WASHER - 1/4"SAE	4

INDEX

PAINT AND OIL

PAINT

REF.	PART NO.	DESCRIPTION	REQ'D
1	C 28849	BLACK - semi - gloss, 12 oz spray (2 per carton)	1
2	C 28850	BLACK - semi - gloss, quart (2 per carton)	1
3	C 28850	BLACK - semi - gloss, heat resistant, 12 oz spray (2 per carton)	1
4	C 28484	POWER RED - gloss, 12 oz spray (2 per carton)	1
5	C 28485	POWER RED - gloss, quart (2 per carton)	1
6	C 30870	SILVER - gloss, 12 oz. spray (2 per carton)	1
7	C 31643	POWER RED - gloss, 1 oz touch up, (1 doz. per carton)	1

OIL

1	C 32776	OIL - SAE 30, SF, quart (12 per case)	1
2	C 32777	OIL - SAE 5W20, SF, quart (12 per case)	1
3	C 32778	OIL - SAE 20W40, SF, quart (12 per case)	1

casecoltingersoll.com

MODEL J31, K31 WOOD SPLITTER

Bed..... 7
Cylinder..... 17
Decals 25
Frame, Mounting 5
Hydraulic System 11-13
Ram..... 7
Valve 19

MODEL J32, K32, L32, HSHD WOOD SPLITTER

Bed..... 9
Cylinder..... 17
Decals 25
Frame, Mounting . . . (See Tractor 3-Point Hitch)
Hydraulic System
 (Also See Tractor Hydraulic PTO) 13
Wedge Slider..... 9
Valve (Also See Tractor Hydraulic PTO) 21

MODEL J34, K34, L34 WOOD SPLITTER

Bed..... 9
Cylinder..... 17
Decals 25
Frame, Mounting 5
Hydraulic System 13
Wedge Slider..... 9
Valve 19

MODEL K36, HSWD WOOD SPLITTER

Axle 23
Bed..... 9
Cylinder..... 17
Decals 25
Hitch..... 23
Hydraulic System 13
Wedge Slider 9
Wheels 23
Valve 19-21

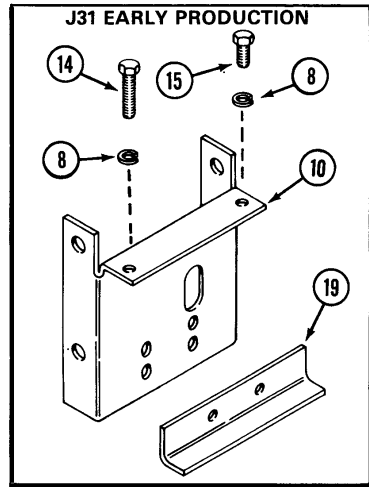
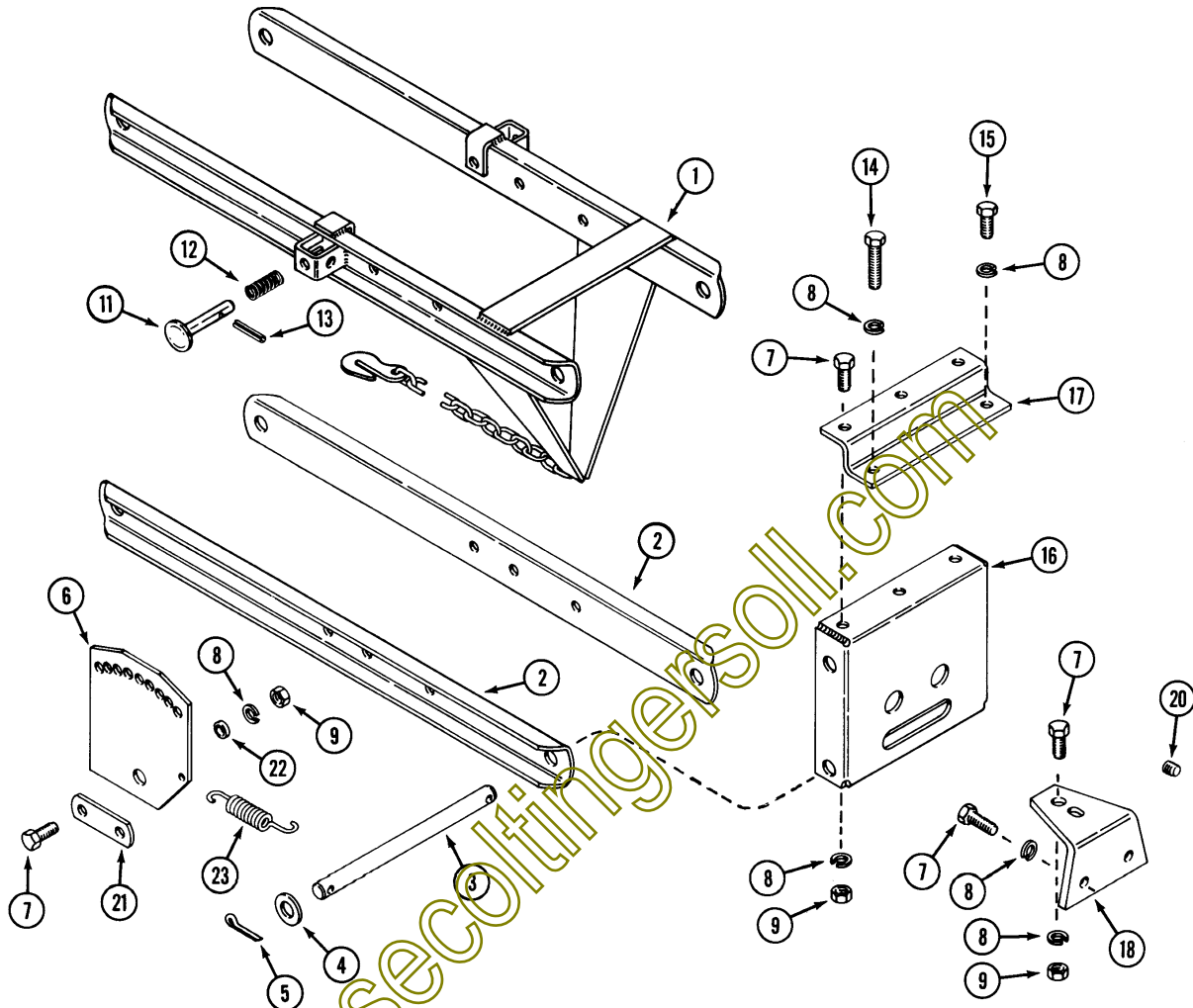
MODEL AHSHD, AHSWD WOOD SPLITTERS

Axle 23
Bed..... 7
Cylinder..... 15
Decals 25
Hitch..... 23
Hydraulic System 15
Wedge Slider 9
Wheels 23
Valve 19

casecoltingersoll.com

J31, K31, J34, K34 L34 WOOD SPLITTERS

MOUNTING FRAME



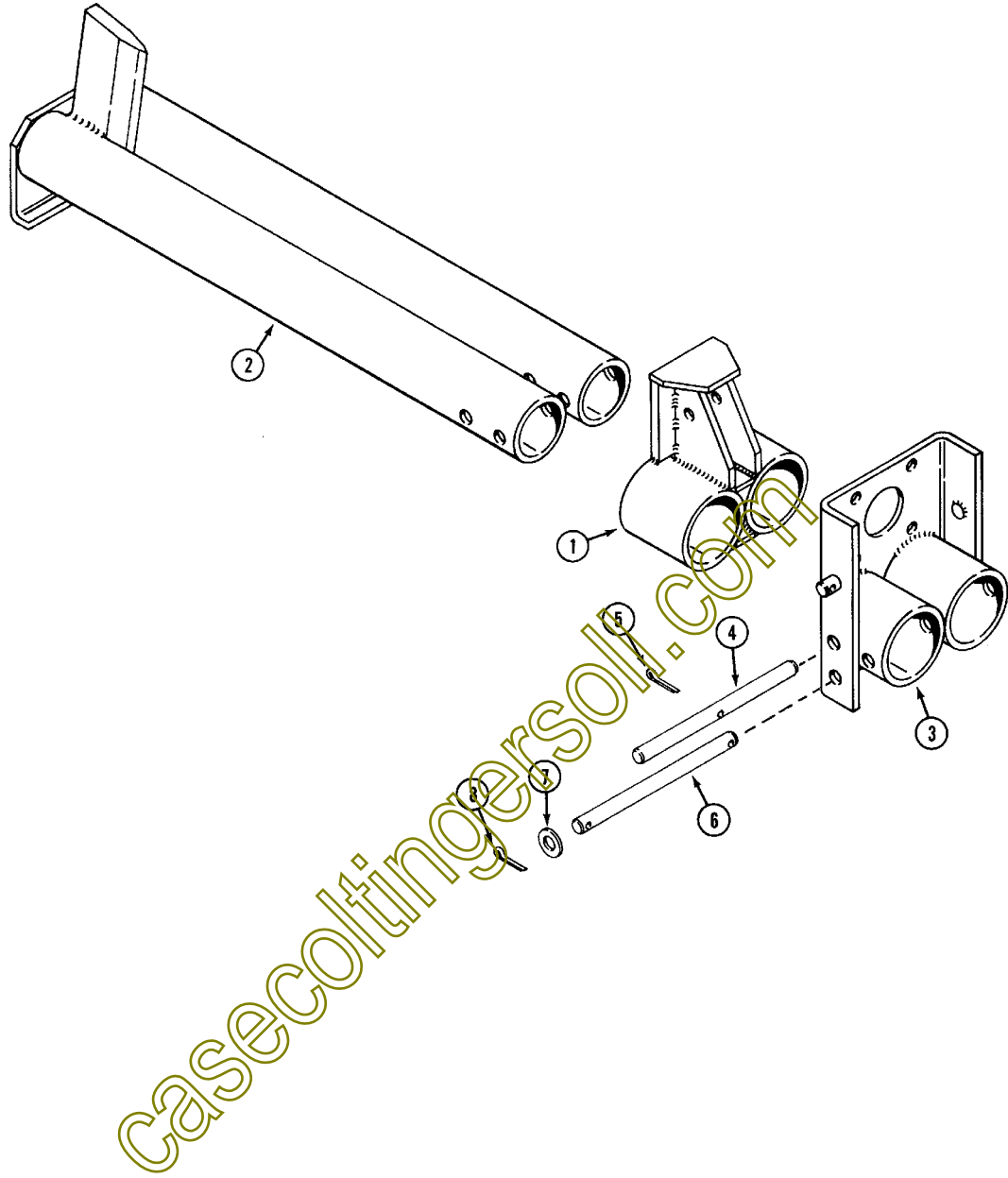
J31, K31, J34, K34, L34 WOOD SPLITTERS

MOUNTING FRAME

REF.	PART NO.	DESCRIPTION	REQ'D
1	C26527	FRAME - mounting, upper (J31, K31).....	1
1	C26691	FRAME - mounting, upper (J34, K34, L34).....	1
2	C26528	FRAME - mounting, lower.....	2
3	C26535	PIN - mounting, frame.....	3
4	C11906	WASHER - 3/4" x 1-1/2".....	8
5	132-311	PIN -cotter 5/32" x 1-1/4".....	8
6	C26536	PLATE - height adjust.....	2
7	113-417	BOLT- 1/2" x 1-1/4".....	9
8	192-23	LOCK WASHER - 1/2".....	9
9	129-105	NUT - 1/2".....	7
10	NSS	MOUNT - frame to tractor (use C26675, C26672 and C26673).....	1
11	C15278	PIN - latch.....	2
12	C10482	SPRING - latch.....	2
13	138-99	PIN - roll 3/16" x 1-3/8".....	2
14	113-447	BOLT - 1/2" x 3-1/2" x 3-1/2" (use on 220, 222 and 224).....	1
14	113-426	BOLT - 1/2" x 2-1/2" (use on 444, 446 and 448).....	1
15	113-417	BOLT - 1/2"x 1-1/4".....	3
16	C26675	MOUNT - frame to tractor.....	1
17	C26672	BRACKET - mounting, "Z" shaped.....	1
18	C26673	DRAW BAR - heavy duty.....	1
19	C26658	BRACKET - spacer.....	1
20	221-33	PLUG - pipe 3/8" socket head.....	1
20	221-34	PLUG - pipe 1/2" socket head.....	1
21	C26733	STRAP - retaining, plate.....	2
22	C29632	SPACER - plate, height adjust.....	4
23	C24321	SPRING - retaining.....	2

casecoltingersoil.com

J31, K31 WOOD SPLITTER RAM AND BED



J31, K31 WOOD SPLITTERS

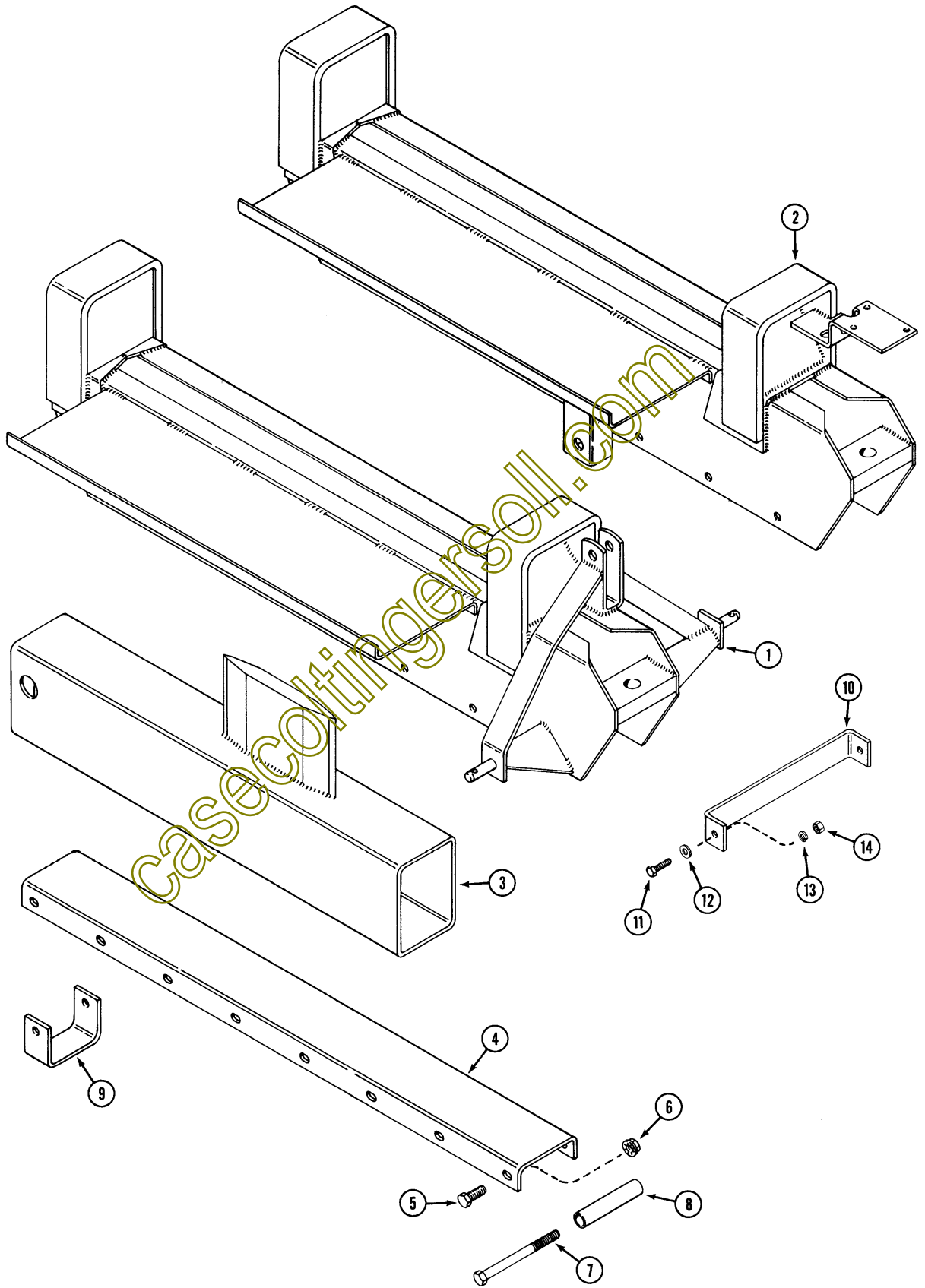
RAM AND BED

REF.	PART NO.	DESCRIPTION	REQ'D
1	C26857	RAM	1
2	C26542	BED - splitter	1
3	C26538	MOUNT - cylinder and bed	1
4	C26541	PIN - mounting, bed	2
5	132-332	PIN - cotter 3/32" x 1-1/2"	2
6	C26535	PIN - mounting, frame	3
7	C11906	WASHER - 3/4" x 1-1/2"	8
8	132-311	PIN - cotter 5/32" x 1-1/4"	8

casecoltingersoll.com

INDEX

**J32, K32, L32, J34, K34, L34, K36,
HSHD, HSWD, AHSHD AND AHSWD WOOD SPLITTERS**



**J32, K32, L32, J34, K34, L34, K36,
HSHD, HSWD, AHSHD AND AHSWD WOOD SPLITTERS**

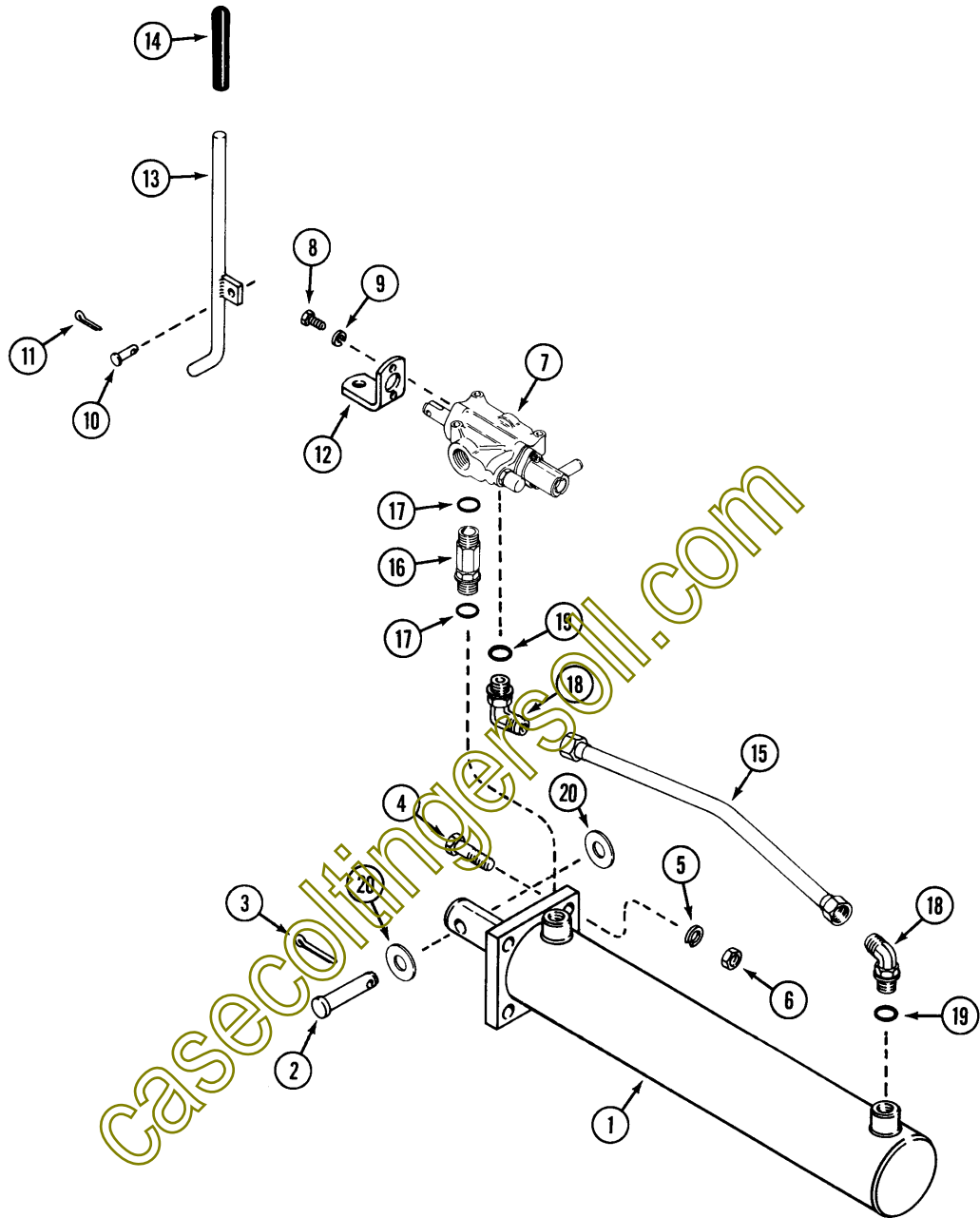
BED AND WEDGE SLIDER

REF.	PART NO.	DESCRIPTION	REQ'D
1	C42455	BED - splitter (J32, K32, L32, HSHD, AHSHD)	1
2	C26679	BED - splitter (J34, K34, L34) shown).....	1
2	C42456	BED - splitter (K36, HSWD, AHSWD).....	1
3	C26961	WEDGE SLIDER.....	1
4	C26479	PLATE - bottom.....	1
5	113-417	BOLT - 1/2" x 1-1/4"	UAR
6	131-930	NUT - 1/2" flange.....	UAR
7	113-2419	BOLT - 1/2" x 6-1/2" (J34, K34, L34)	1
8	C26677	ROLLER - pipe (J34, K34, L34)	1
9	C 26678	SHOE - bed support (J34, K34, L34)	1
9	C42457	STRAP - (AHSWD, AHSHD).....	1
10	C26734 *	BAR - stabilizer (between arms on 3 pt. hitch) (J32, K32, L32).....	1
11	113-209	BOLT - 3/8" x 1-1/2" (J32, K32, L32)	2
12	195-525	WASHER - 3/8" (J32, K32, L32)	2
13	192-21	LOCK WASHER - 3/8" (J32, K32, L32).....	2
14	129-103	NUT - 3/8" (J32, K32, L32).....	2

casecoltingersoll.com

*Not required if using HH34 hitch

J31, K31 WOOD SPLITTERS



J31, K31 WOOD SPLITTERS

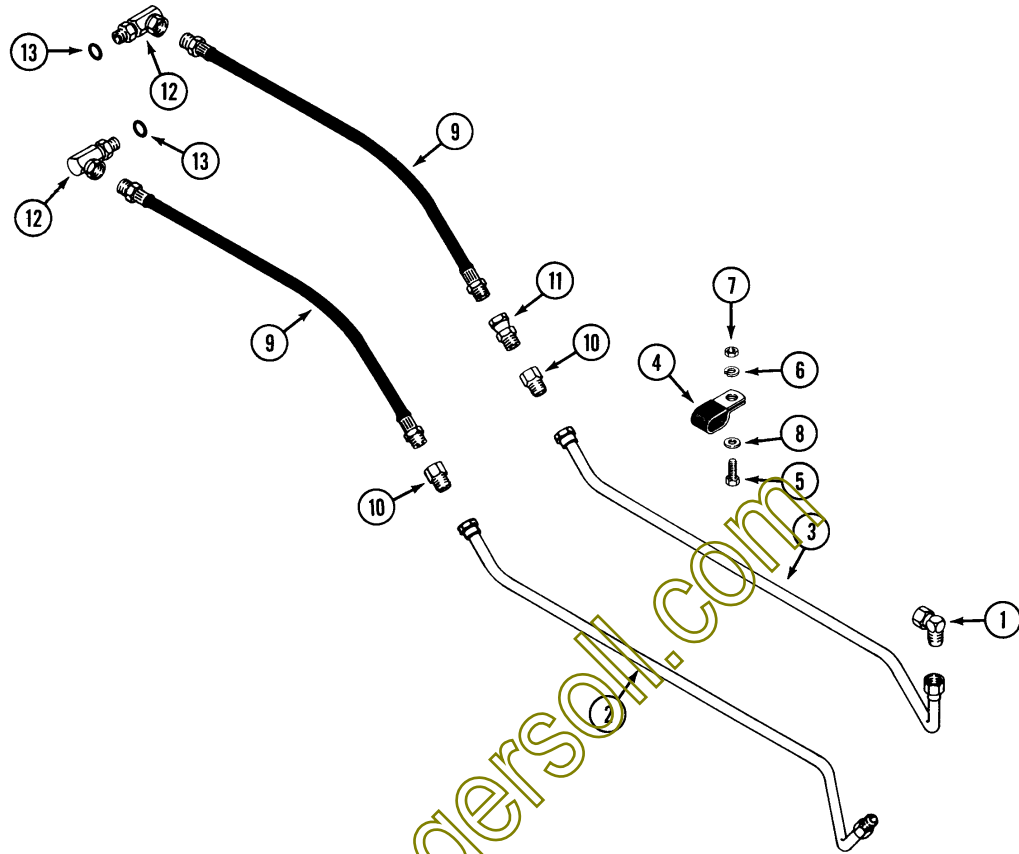
CYLINDER AND VALVE HYDRAULIC CONNECTIONS

REF.	PART NO.	DESCRIPTION	REQ'D
1	C26600	CYLINDER - hydraulic (repairs page 17).....	1
2	C28933	PIN - clevis	1
3	132-310	PIN - cotter	1
4	113-421	BOLT - 1/2" x 2"	4
5	192-23	LOCK WASHER - 1/2"	4
6	129-105	NUT - 1/2".....	4
7	C33426	VALVE - hydraulic (repairs page 19)	1
8	113-3	BOLT - 1/4" - 20 x 3/4"	2
9	192-19	LOCK WASHER - 1/4"	2
10	C28964	PIN - clevis 3/16".....	1
11	132-329	PIN - cotter	1
12	C26613	BRACKET - handle	1
13	C26614	HANDLE - valve	1
14	C26020	GRIP - handle	1
15	C26602	TUBE - valve to cylinder.....	1
16	C26601	FITTING - straight	1
17	218-5007	"O" RING - fitting	2
18	218-5107	FITTING - 90° swivel.....	2
19	218-5007	"O" RING - fitting	2
20	195-105	WASHER - (put on outside of wedge)	2

casecoltingersoll.com

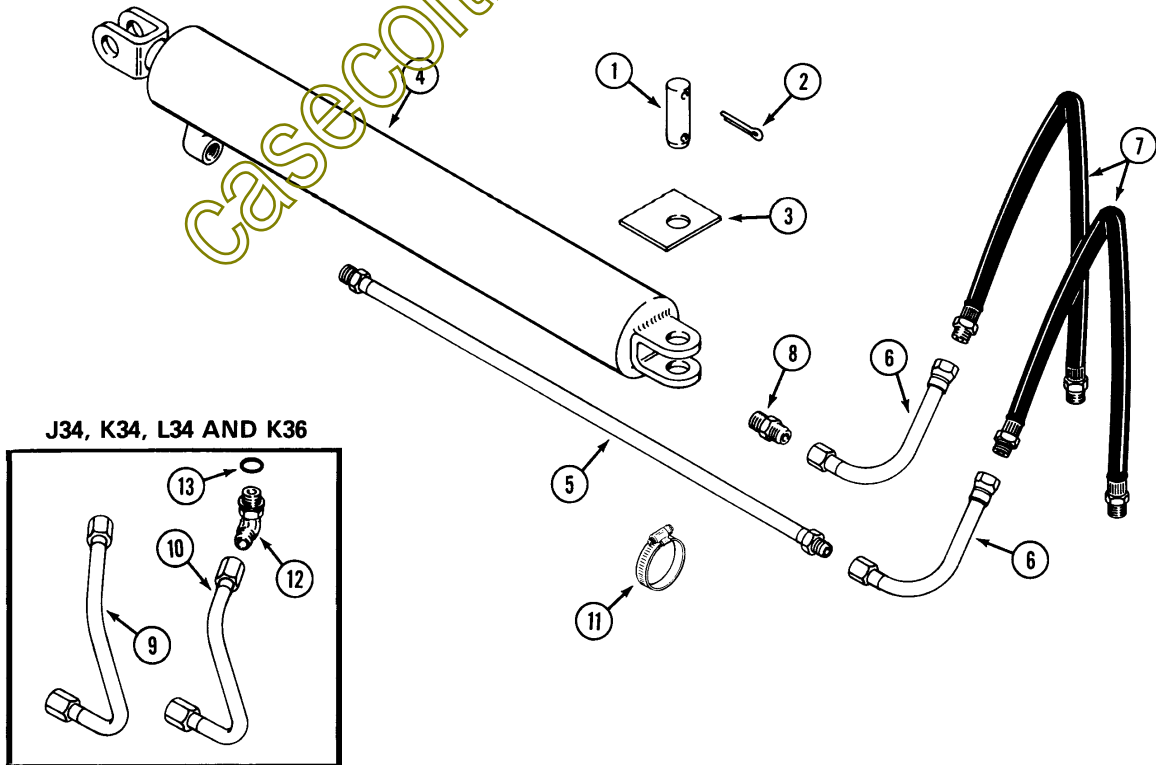
INDEX

HYDRAULIC TUBES AND HOSES (J31, K31, J34, K34, L34 AND K36)



INDEX

J31. K31. J32. K32. L32. J34. K34. L34. K36. HSHD. HSWD WOOD SPLITTERS



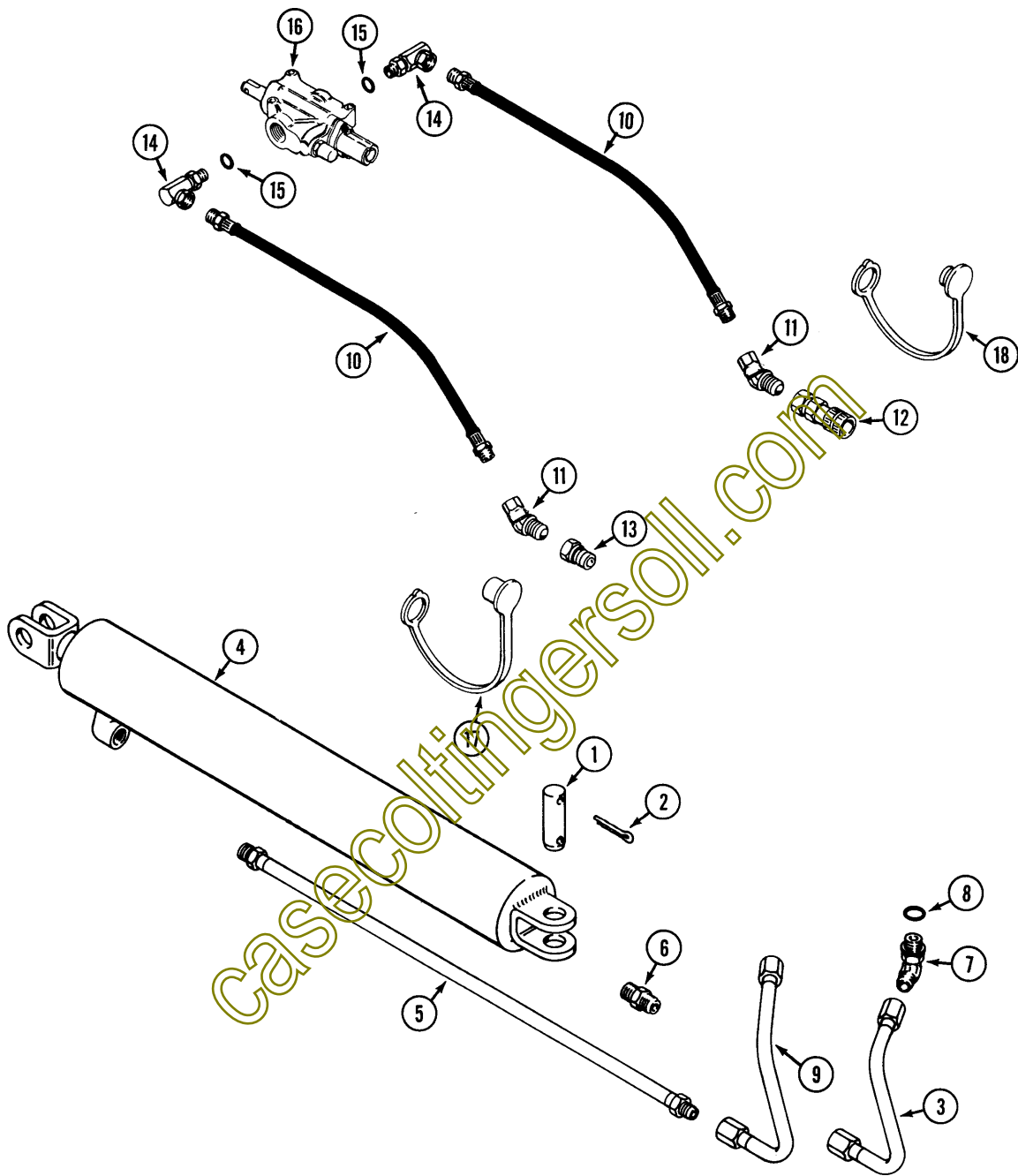
INDEX**J31, K31, J32, K32, 132, J34, K34, L34, K36, HSHD, HSWD WOOD SPLITTERS****HYDRAULIC TUBES AND HOSES (J31, K31, J34, K34, L34 AND K36)**

REF.	PART NO.	DESCRIPTION	REQ'D
1	218-5232	FITTING - 90° swivel.....	1
2	C26686	TUBE - hydraulic (pump to splitter valve inlet).....	1
3	C26690	TUBE - hydraulic (tractor travel valve to splitter valve outlet).....	1
4	C29023	CLAMP - tube.....	2
5	113-103	BOLT-5/16"x 1".....	2
6	192-20	LOCK WASHER - 5/16".....	2
7	129-102	NUT - 5/16".....	2
8	195-103	WASHER - 5/16".....	2
9	C28320	HOSE - hydraulic.....	2
10	218-465	FITTING - adaptor (early production).....	2
11	218-903	FITTING - pipe, swivel (early production).....	1
12	218-5201	FITTING - 90° swivel.....	2
13	218-5007	"O" RING - fitting.....	2

INDEX**CYLINDER AND HYDRAULIC LINES
(J32, K32, L32, J34, K34, L34, K36, HSHD, HSWD)**

1	C26580	PIN - cylinder.....	2
2	132-306	PIN - cotter 3/16" x 1-3/4".....	4
3	C26598	PLATE - cover (early production).....	1
4	C27252	CYLINDER - hydraulic (repairs page 17).....	1
5	C26582	TUBE - cylinder.....	1
6	C29037	TUBE - cylinder to hose (J32, K32, L32, HSHD, HSWD).....	2
7	C28320	HOSE - hydraulic (J32, K32, L32, HSHD, HSWD).....	2
8	218-445	FITTING - 37° flare - 1/2" NPT.....	1
9	C26688	TUBE - cylinder rod end to valve port "A" (J34, K34, L34 and K36).....	1
10	C26689	TUBE - cylinder foot end to valve port "B" (J34, K34, L34 and K36).....	1
11	214-258	CLAMP - hose.....	1
12	218-5107	FITTING - 7/8" - 14 x 370 flare, 90° swivel.....	2
13	218-5007	"O" RING - fitting.....	1

AHSHD AND AHSWD WOOD SPLITTER



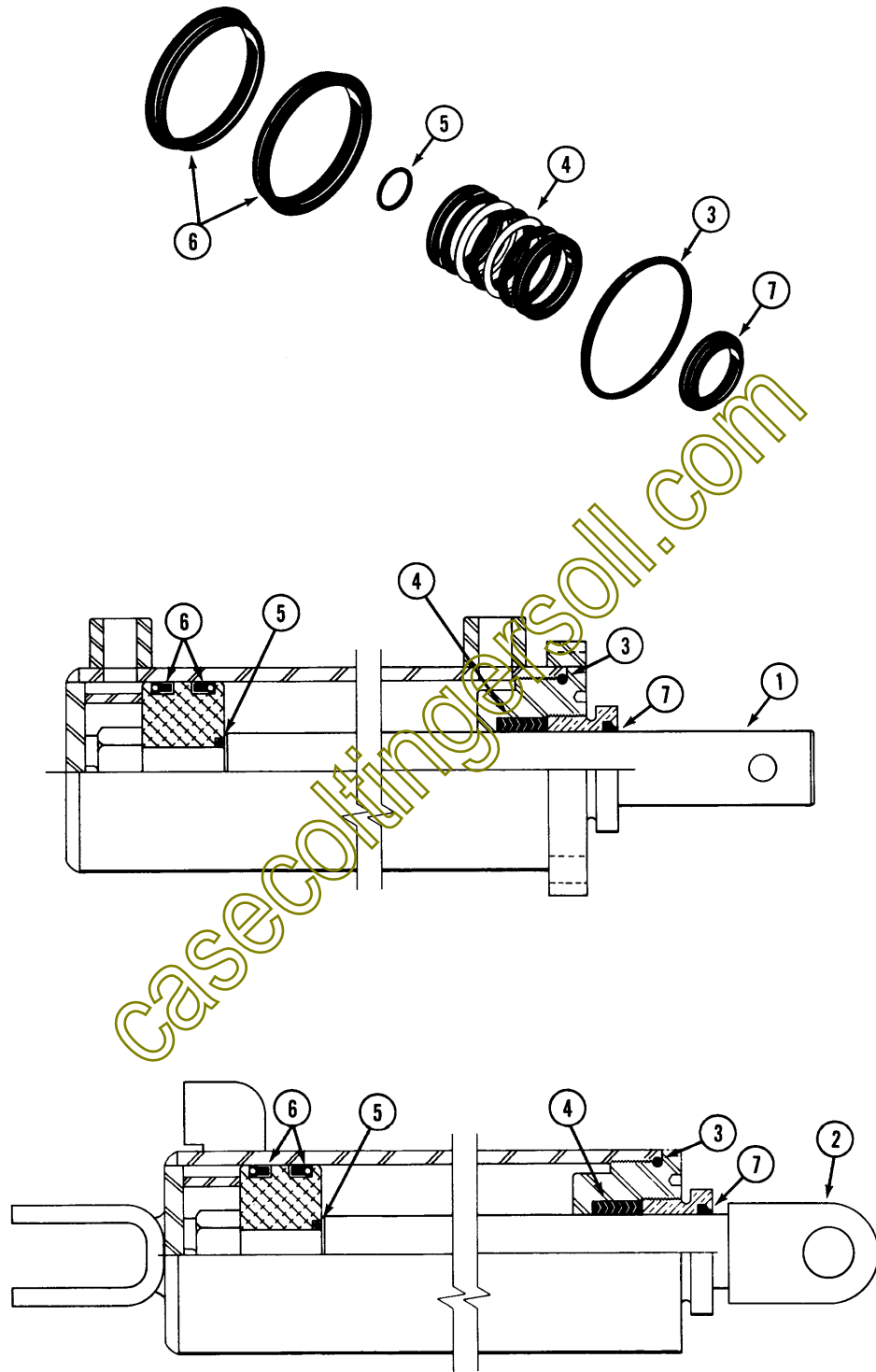
AHSHD AND AHSWD WOOD SPLITTER

CYLINDER AND HYDRAULIC LINES

REF.	PART NO.	DESCRIPTION	REQ'D
1	C26580	PIN - cylinder.....	2
2	132-306	PIN - cotter 3/16" x 1-3/4".....	4
3	C42463	TUBE - cylinder foot end to valve port "B"	1
4	C42462	CYLINDER – hydraulic, 3.5" bore, 24" stroke.....	1
	C40894	KIT - seal.....	1
5	C26582	TUBE - cylinder	1
6	218-445	FITTING - 37° flare - 1/2" NPT.....	1
7	218-5137	FITTING - 7/8" - 14, 45°	2
8	218-5007	"O" RING	1
9	C42464	TUBE - cylinder rod end to valve port "A"	1
10	C42076	HOSE - 1/2" x 42".....	2
11	217-1086	FITTING - 1/2" elbow 45°	2
12	C37188	COUPLING - quick, female 1/2".....	1
13	C37187	COUPLING - quick, male 1/2".....	1
14	218-5201	FITTING - 90° swivel.....	2
15	218-5007	"O" RING - fitting	1
16	C30046	VALVE - hydraulic (repairs page 19)	1
17	C40641	CAP - dust.....	1
18	C40642	PLUG - dust	1

casecoltingersoll.com

J31, K31, J32, K32, L32, J34, K34, L34, K36
HSHD, HSWD WOOD SPLITTERS



**J31, K31, J32, K32, L32, J34, K34, L34, K36
HSHD, HSWD WOOD SPLITTERS**

CYLINDER

REF.	PART NO.	DESCRIPTION	REQ'D
1	C26600	CYLINDER - hydraulic (J31, K31).....	1
2	C27252	CYLINDER - hydraulic (J32, K32, L32, J34, K34, L34, K36, HSWD, HSHD)	1
	C27272 **	KIT - seal, cylinder	1
	C26615 *	KIT - seal, cylinder	1
3	NSS	"O" RING - end cap	1
4	NSS	PACKING - rod.....	1
5	NSS	"O" RING - piston	1
6	NSS	POLYPAK - piston.....	2
7	NSS	WIPER - rod	1

* Use before S/N:

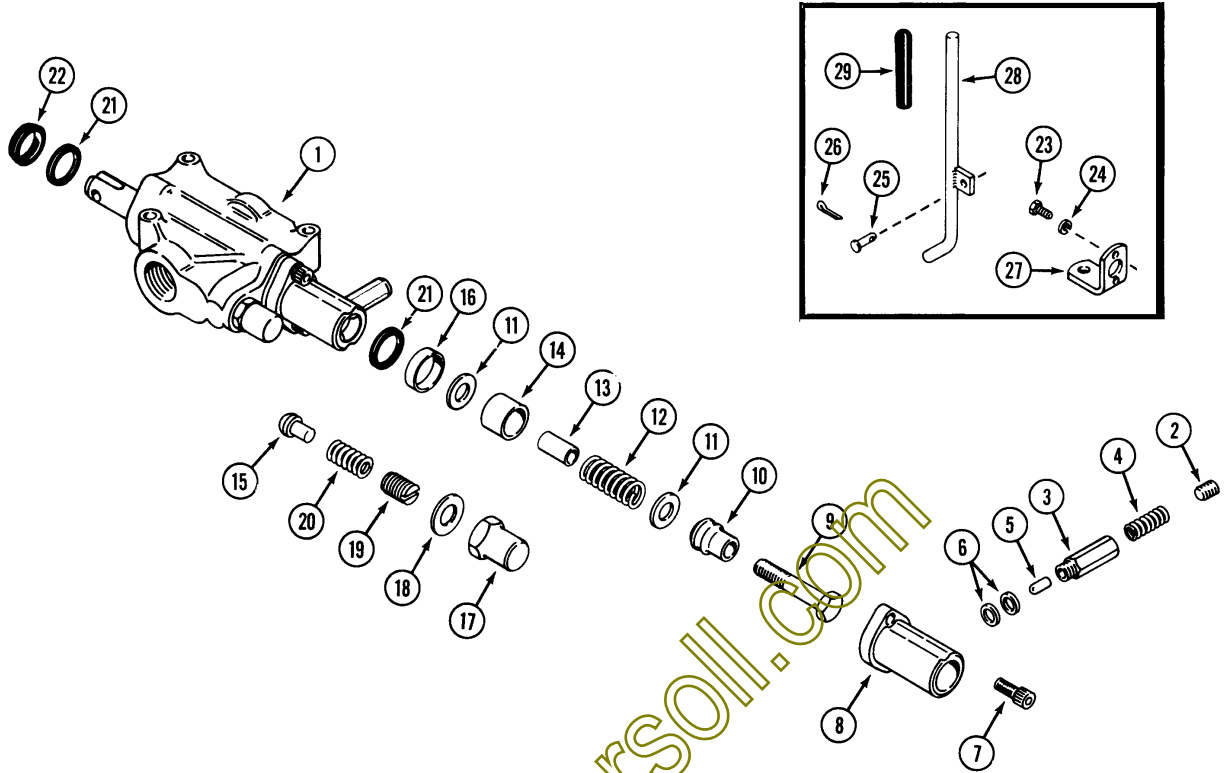
ALL - J31, K31
 AN 12900 - J32, K32, L32
 AP 13480 - J34, K34, L34
 AM 14875 - K36

** Use S/N and after:
 AN 12900 - J32, K32, L32
 AP 13480 - J34, K34, L34
 AM 14875 - K36
 ALL - HSHD, HSWD

casecoltingersoll.com

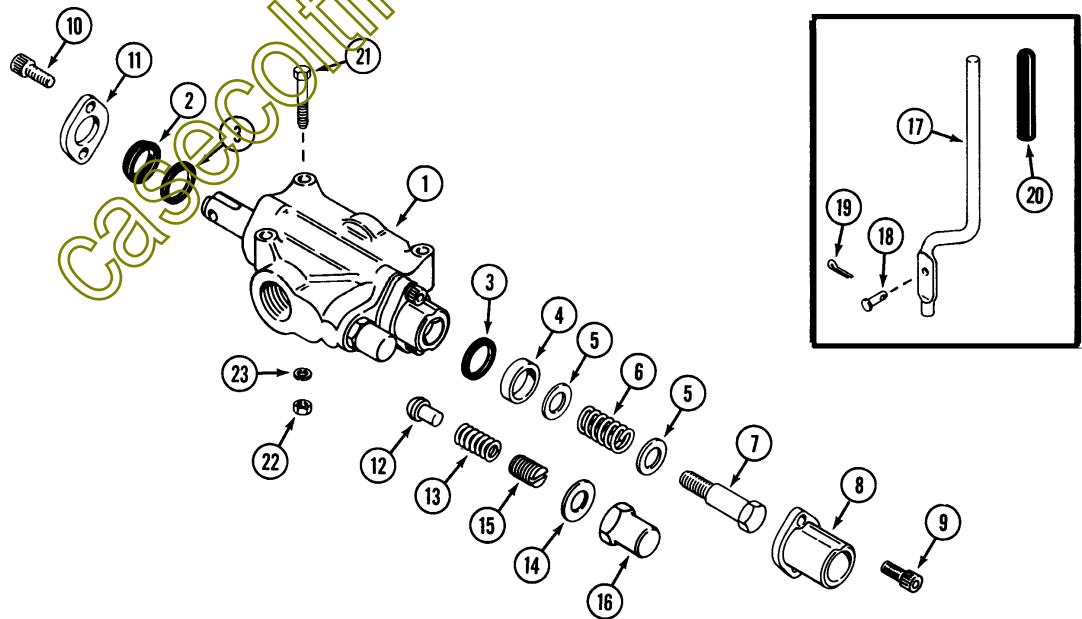
INDEX

VALVE (J31, K31)



INDEX

VALVE (J34, K34, L34, K36, AHSHD, AHSWD)



INDEX

J31, K31, J34, K34, L34, K36, AHSHD, AHSWD WOOD SPLITTERS

VALVE (J31, K31)

REF.	PART NO.	DESCRIPTION	REQ'D
1	C33426	VALVE - hydraulic	1
2	83-56	SCREW - set 5/16" - 18	1
3	C26719	HOUSING - detent plunger	1
4	C26718	SPRING - detent plunger	1
5	C26717	PLUNGER - detent	1
6	C26716	WASHER - aluminum, seal	UAR
7	165-143	SCREW - socket head	2
8	C26715	BONNET-end cap	1
9	113-110	BOLT - 5/16" - 18 x 2-1/4"	1
10	C26714	SLEEVE - detent	1
11	195-526	WASHER	1
12	C26721	SPRING - centering	1
13	C26720	SPACER-detent	1
14	C26713	SPACER - spool	1
15	C26708	POPPET - relief	1
16	C26722	SPACER - end cap	1
17	C26712	NUT - cap, relief	1
18	C26710	WASHER - aluminum, seal	1
19	C26711	SCREW - adjustment, relief	1
20	C26709	SPRING - relief	1
21	C26707	RING - quad	1
22	C26706	WIPER - spool	1
23	113-3	BOLT - 1/4" - 20 x 3/4"	2
24	192-19	LOCK WASHER - 1/4"	2
25	C28964	PIN - clevis 3/16"	1
26	132-329	PIN - cotter	1
27	C26613	BRACKET - handle	1
28	C26614	HANDLE - valve	1
29	C26020	GRIP - handle	1

INDEX

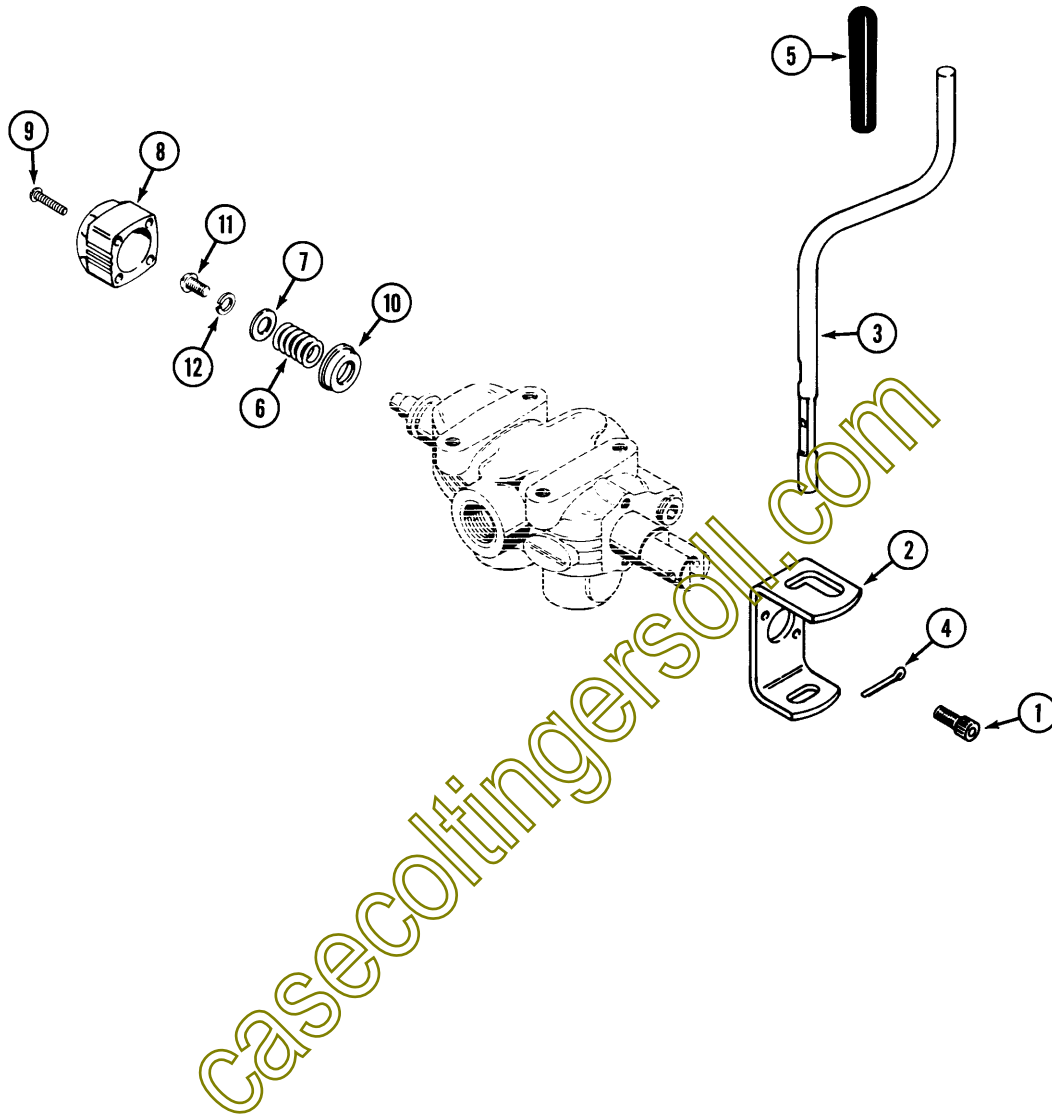
VALVE (J34, K34, L34, K36, AHSHD, AHSWD)

1	C30046	VALVE - hydraulic	1
2	C26706	WIPER - spool	1
3	C26707	RING - quad	2
4	C26722	SPACER - end cap	1
5	195-526	WASHER	2
6	C26724	SPRING - centering	1
7	C26725	BOLT - shoulder	1
8	C26726	BONNET - end cap	1
9	165-143	SCREW - 1/4" - 20 x 3/4" socket head	2
10	165-142	SCREW - 1/4" - 20 x 5/8" socket head	2
11	C26727	RETAINER - seal	1
12	C26708	POPPET - relief	1
13	C26709	SPRING - relief	1
14	C26710	WASHER - aluminum, seal	1
15	C26711	SCREW - adjustment, relief	1
16	C26712	NUT - cap, relief	1
17	C26694	HANDLE - valve (J34, K34, L34, K36)	1
17	C42466	HANDLE - valve (AHSHD, AHSWD)	1
18	C28964	PIN - clevis 3/16"	1
19	132-329	PIN - cotter	1
20	C26020	GRIP - handle	1
21	113-132	BOLT - 1/4" x 1-3/4"	3
22	129-101	NUT - 1/4"	3
23	192-19	LOCK WASHER - 1/4"	3

J32, K32, L32, HSHD, HSWD WOOD SPLITTERS

HYDRAULIC PTO VALVE MODIFICATION

These parts included with J32, K32, L32 Only



J32, K32, L32, HSHD, HSWD WOOD SPLITTERS

HYDRAULIC PTO VALVE MODIFICATION

These parts included with J32, K32, L32 Only

This list only includes parts added to Hydraulic PTO Valve for splitter application.
For other valve parts, see Hydraulic PTO Valve section in tractor catalog.

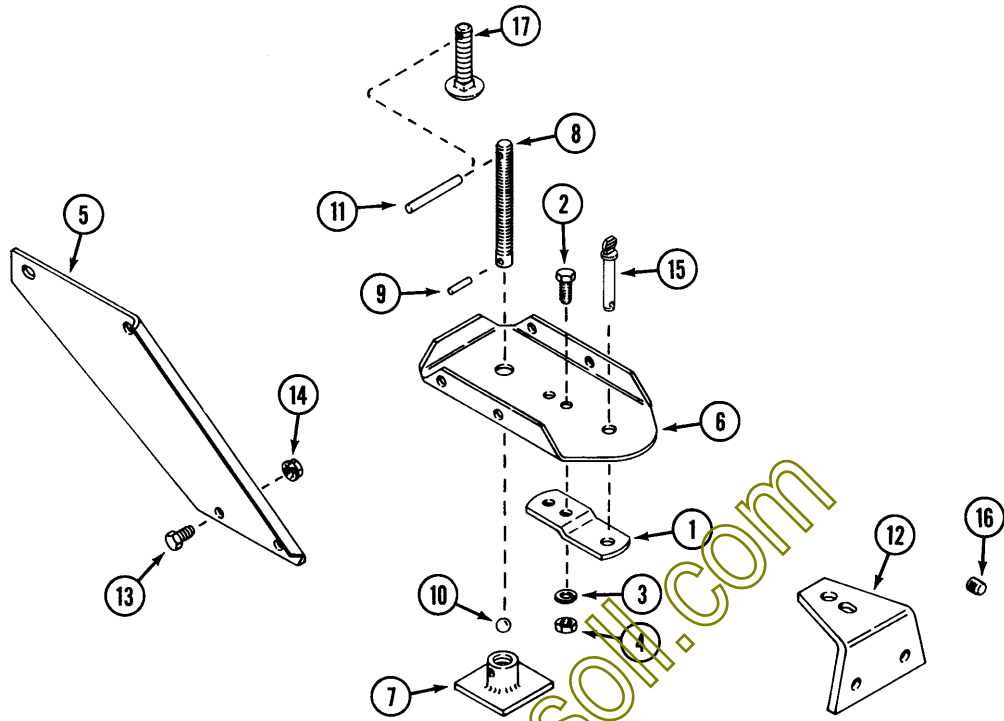
NOTE: HP30, HP40, M17, N17 hydraulic PTO valves require no modification for splitter use.

REF.	PART NO.	DESCRIPTION	REQ'D
1	165-143	SCREW - socket head	2
2	C26584	BRACKET - handle, valve.....	1
3	C26585	HANDLE - valve	1
4	132-329	PIN - cotter 1/16" x 3/4"	1
5	C26020	GRIP - handle	1
6	C26609	SPRING - centering	1
7	196-1	WASHER.....	1
8	C29026	BONNET - end cap	1
9	169-148	SCREW - cap	4
10	C29027	COLLAR - spool	1
11	75-48	SCREW - 1/4" x 1/2" round head	1
12	192-19	LOCK WASHER - 1/4"	1

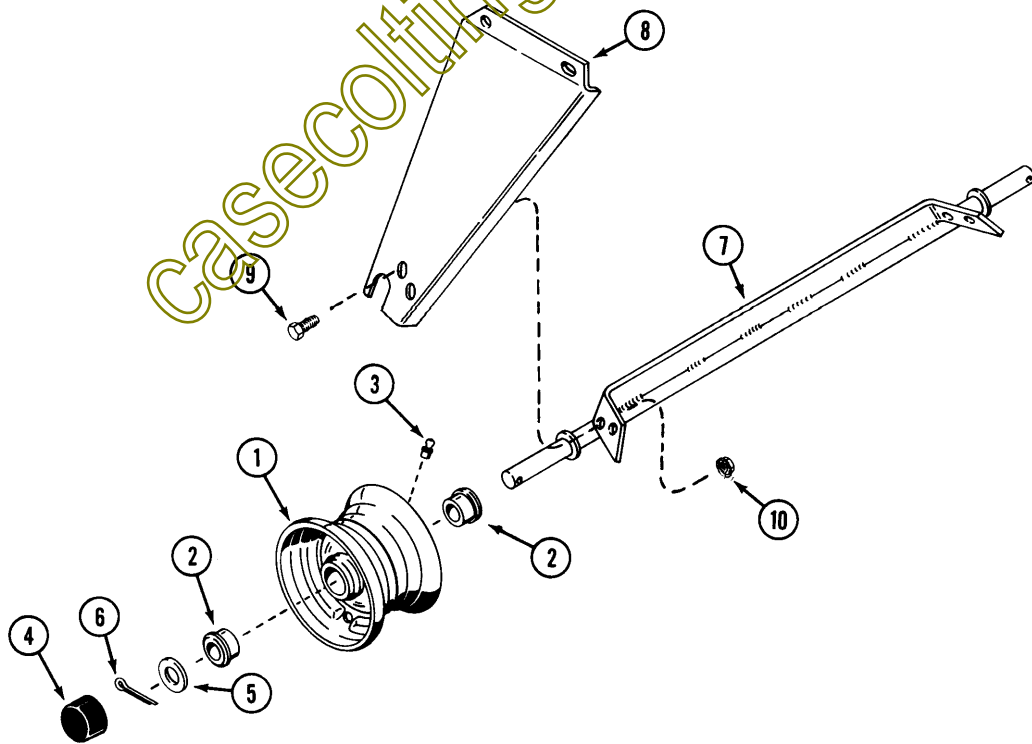
casecoltingersoll.com

INDEX

K36, HSWD AND AHSWD WOOD SPLITTER



INDEX



INDEX**K36, HSWD AND AHSWD WOOD SPLITTER****HITCH**

REF.	PART NO.	DESCRIPTION	REQ'D
1	C26237	PLATE - hitch	1
2	113-103	BOLT - 5/16" - 18 x 1"	2
3	195-521	LOCK WASHER - 5/16" (early production)	2
4	131-911	NUT 5/16" 18	2
5	C27884	SUPPORT - hitch R.H. (shown)	1
5	C27883	SUPPORT - hitch L.H.	1
6	C27886	PLATE - hitch (K36, HSWD)	1
6	C42459	PLATE - hitch (AHSWD)	1
7	C27890	BASE - screw jack (K36, HSWD)	1
8	C27889	SCREW - lift (K36, HSWD)	1
9	138-96	PIN - spiral 3/16" x 1" (K36, HSWD)	1
10	C27888	BALL - steel (K36, HSWD)	1
11	138-308	PIN - roll 1/4" x 3"	1
12	C26673	DRAW BAR - heavy duty	1
13	113-207	BOLT - 3/8" -16 x 1"	4
14	131-938	NUT - 3/8" flange lock	4
15	C10888	PIN - hitch	1
16	221-33	PLUG - pipe 3/8" hex socket head	1
16	221-34	PLUG - pipe 1/2" hex socket head	1
17	C42460	BOLT - special (AHSWD)	1

INDEX**AXLE AND WHEELS**

1	C30908	WHEEL	2
2	C24503	BUSHING - wheel	4
3	219-10	FITTING - lube 1/4" - 28 taper	2
4	C26526	CAP - hub, plastic	4
5	C28226	WASHER	2
6	132-49	PIN - cotter	2
7	C27880	SHAFT - axle	1
8	C27881	SUPPORT - axle R.H. (shown)	1
8	C27882	SUPPORT - axle L.H.	1
9	113-103	BOLT - 5/16" - 18 x 1"	4
10	131-911	NUT - 5/16" flange lock	4

**J31, K31, J32, K32, L32, J34, K34, L34, K36
HSHD, HSWD, AHSHD, AHSWD WOOD SPLITTERS**

1

WARNING



PINCH POINT



KEEP HANDS AWAY FROM RAM, WEDGE AND PARTIALLY SPLIT WOOD. PINCHING CAN CAUSE INJURY. STAND CLEAR AND KEEP HANDS AND FEET FROM UNDER WOOD SPLITTER WHEN CHANGING HEIGHT. UNEXPECTED MOVEMENT CAN CAUSE INJURY.

READ OWNERS MANUAL BEFORE OPERATING

11

CAUTION

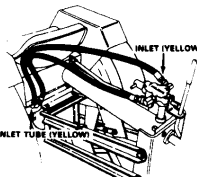
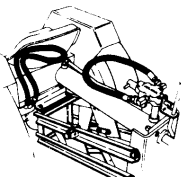
READ OPERATOR'S MANUALS. ONLY ONE PERSON SHOULD OPERATE THE LOG SPLITTER AND LOAD THE LOGS. SPLIT WOOD IN DIRECTION OF THE GRAIN ONLY. STAY IN MANUFACTURER'S DESIGNATED OPERATOR ZONE. HOLD LOG SIDES WHEN LOADING. KEEP HANDS AWAY FROM RAM, WEDGE, AND PARTLY SPLIT LOGS. NEVER LEAVE THIS MACHINE UNATTENDED DURING OPERATION. DON'T REFUEL A HOT OR RUNNING ENGINE. STAY OFF SLOPES AND SLIPPERY SURFACES.

FAILURE TO OBSERVE THESE PRECAUTIONS COULD RESULT IN INJURY

4

IMPORTANT

HOSE CONNECTIONS MUST BE AS SHOWN TO PREVENT POSSIBLE EQUIPMENT DAMAGE

LOG SPLITTER CONNECTED	LOG SPLITTER DISCONNECTED
	

12

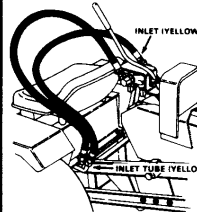
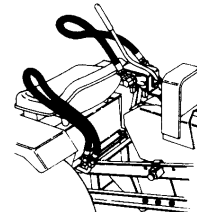
CAUTION

READ OPERATOR'S MANUALS. ONLY ONE PERSON SHOULD OPERATE THE LOG SPLITTER AND LOAD THE LOGS. SPLIT WOOD IN DIRECTION OF THE GRAIN ONLY. STAY IN MANUFACTURER'S DESIGNATED OPERATOR ZONE. HOLD LOG SIDES WHEN LOADING. KEEP HANDS AWAY FROM RAM, WEDGE, AND PARTLY SPLIT LOGS. NEVER LEAVE THIS MACHINE UNATTENDED DURING OPERATION. DON'T REFUEL A HOT OR RUNNING ENGINE. STAY OFF SLOPES AND SLIPPERY SURFACES. FAILURE TO OBSERVE THESE PRECAUTIONS COULD RESULT IN INJURY.

5

IMPORTANT

HOSE CONNECTIONS MUST BE AS SHOWN TO PREVENT POSSIBLE EQUIPMENT DAMAGE

LOG SPLITTER CONNECTED	LOG SPLITTER DISCONNECTED
	

2

CASE hysplit™

3



7

hysplit™

10

INGERSOLL

8

hysplit™

9



**J31, K31, J32, K32, L32, J34, K34, L34, K36
HSHD, HSWD, AHSHD, AHSWD WOOD SPLITTERS**

DECALS

REF.	PART NO.	DESCRIPTION	REQ'D
1	C42472	DECAL - "Warning"	1
2	321-5097	DECAL - "Case" (J31, J32, J34)	2
3	C30784	DECAL - cylinder direction (J31, K31, J34, K34, L34, K36)	1
4	C27028	DECAL - hydraulic hook-up instructions (J31, K31)	1
5	C27029	DECAL - hydraulic hook-up instructions (J34, K34, L34)	1
6	C26892*	DECAL - trade mark (Hysplit) J31, J32, J34	1
7	C27195*	DECAL - trade mark (Hysplit) K31, K32, K34	1
8	C27934*	DECAL - trade mark (Hysplit) K31, L34, K36.....	1
9	NSS	DECAL - stripe (K31, L32, L34, K36) (Use C31328 cut to length).....	1
10	C31989	DECAL - "INGERSOLL"	1
11	C29749	DECAL - "Caution" (K31, L32, L34, K36, HSHD, HSWD)	1
12	C42471	DECAL - "Caution" (AHSHD, AHSWD).....	1

* No longer available when stock is depleted

casecoltingersoll.com