



Ingersoll

**L90, M90, N90, P90,
R90, S90, SW38
LAWN SWEEPER
Parts Catalog D1299**

HOME

ATTACHMENTS

ALPHABETICAL INDEX

General Information	2
Basket Assembly	9
Bearings - brush	7
Brush Assembly	7
Decals	7
Frame - Basket	9
Frame - Tow	5
Housing - brush	5
Wheel Assembly	5



INDEX

There is an index at the front and rear of this catalog. The front index is an alphabetical index of the major groups or assemblies.

The rear index is a numerical index of the part numbers and pages on which these numbers are shown.

ILLUSTRATION

Each illustration in this catalog shows a group of parts or components. These parts and components are aligned approximately as the parts and components on your machine. Each part and component in an illustration has a reference number. These reference numbers are in a list on the page opposite of the illustration. Next to the reference number is the part number, description and required quantity of the part shown in the illustration.

UAR - "Use as required" indicates that the part quantity is variable.

NSS - "Not sold separately" indicates that the part is only available as component of an assembly or the part must be purchased locally. If the part is an assembly component, the description will be indented under the assembly description in the parts list.

O/L - "Obtain locally"

- "Footnotes" are added to a part number when more information is needed for identification. They only relate to the part numbers indicated. All orders must include the following information:

PARTS ORDERS

1. Correct part number.
2. Complete description of part or component.
3. Total quantity of each part or component.
4. Product model number.
5. All necessary product identification numbers.
6. Method for sending the parts.
7. Complete and correct address.

CATALOG REVISIONS

As the product changes, new pages will be available for your catalog. A notice will be issued.

IMPORTANT: Put all revisions into the catalog as soon as possible.

RIGHT HAND AND LEFT HAND IDENTIFICATION

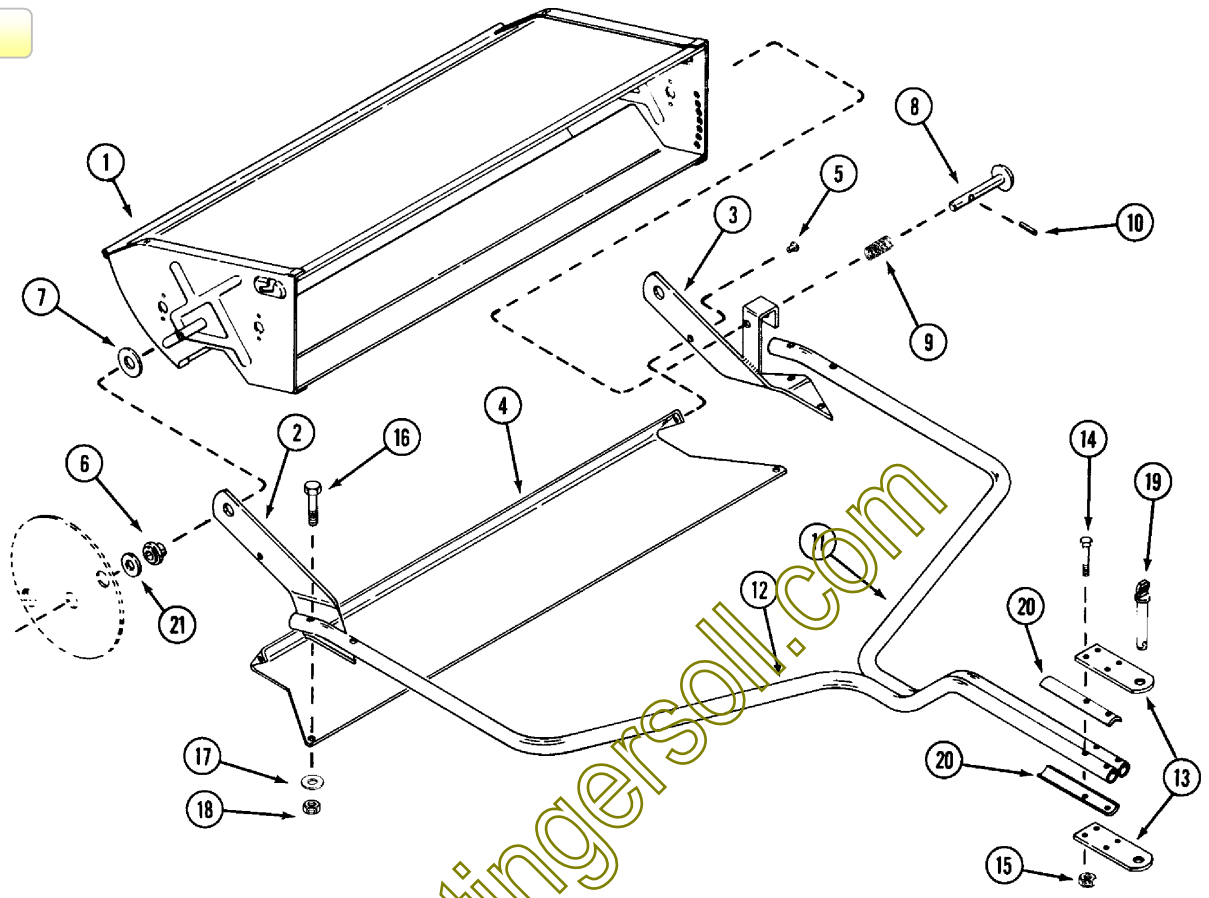
The words right hand (RH) and left hand (LH) as used in this catalog indicate the direction while you are in the operator's seat in the normal operating position.

INDENTED DESCRIPTIONS

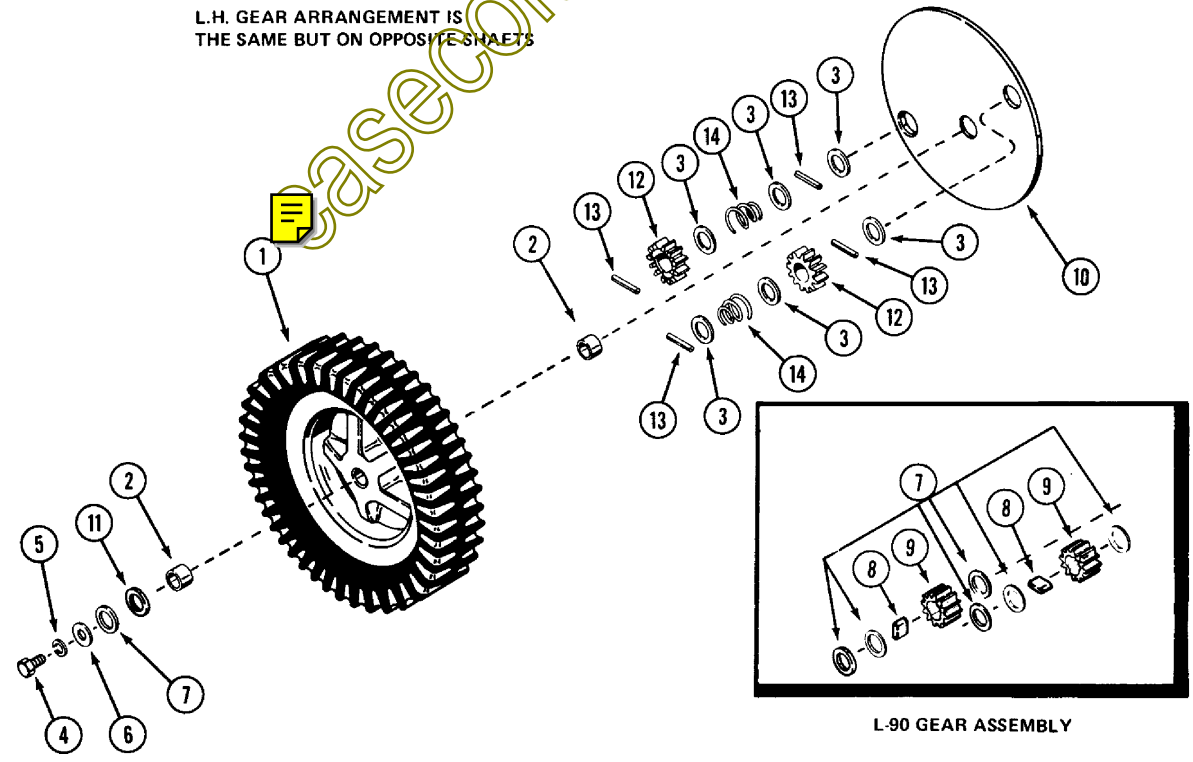
An assembly can have many components. The components of an assembly are indicated by an indented description. The quantity for an indented part is the total needed for that complete assembly. See the example.

REF.	PART NO.	DESCRIPTION	REQ'D
	C 55159	CYLINDER ASSY - rear steering	1
28	C 56208	SOCKET ASSY - rear cylinder	1
29	C 55956	PLUG - adjusting, socket assy	1
30	C 55957	SEAT- socket, ball.....	2
31	C 56210	SPRING-socket	1
32	C 56209	SEAT - socket spring.....	1
33	G 45175	CLAMP ASSY - socket assy	1
	16- 836	BOLT-1/2"x2-1/4" N.F. hex.....	1
34	132- 104	PIN-cotter, 3/16"x3"	1
35	C 55889	STUD - ball, socket & cylinder	2
36	13- 410	BOLT-1/4"x5/8"N.C.,hex	4
37	92- 4	LOCK WASHER - 1/4"SAE	4

INDEX



L.H. GEAR ARRANGEMENT IS THE SAME BUT ON OPPOSITE SHAFTS



L-90 GEAR ASSEMBLY

INDEX

HOUSING, LIFT AND TOW FRAME

REF.	PART NO.	DESCRIPTION	REQ'D
1	C28498	HOUSING ASSEMBLY - brush (also requires (4) C23602, (8) 187-1036; (8) 192-19 service N90, P90 and R90)	1
2	C23286	BRACKET - housing to frame R.H.	1
3	C23593	BRACKET - housing to frame L.H.	1
4	C23339	PAN-skid	1
5	C23601	RIVET - 1/4" x 13/32"	2
6	C23348 *	BEARING - pivot, housing (use before date code 483)	2
6	C27740 *	BEARING - pivot, housing (use date code 483 and after)	2
7	C23301	SPACER - pivot, housing	2
8	C20005	PIN - height adjust	1
9	C10482	SPRING - height adjust	1
10	138-96	PIN - roll, 3/16" x 1"	1
11	C23197	TUBE - frame, L.H.	1
12	C23198	TUBE - frame, R.H.	1
13	C23200	PLATE - hitch	2
14	113-132	BOLT-1/4"x 1-3/4" N.C. hex	4
15	131-1102	NUT-lock, 1/4" N.C. hex	4
16	113-233	BOLT - 3/8" x 1-3/4" N.C. hex	4
17	195-525	WASHER - 3/8"	4
18	131-1352	NUT - lock, 3/8" N.C. hex flange	4
19	C10888	PIN - hitch	1
20	C24457	REINFORCEMENT - tow bar (only when needed)	4
21	195-2206	WASHER - .688" x 1.25" (P90, R90, S90, SW38)	2

* These bearings have the dimensions except C23348 has a "step" on both sides as shown below



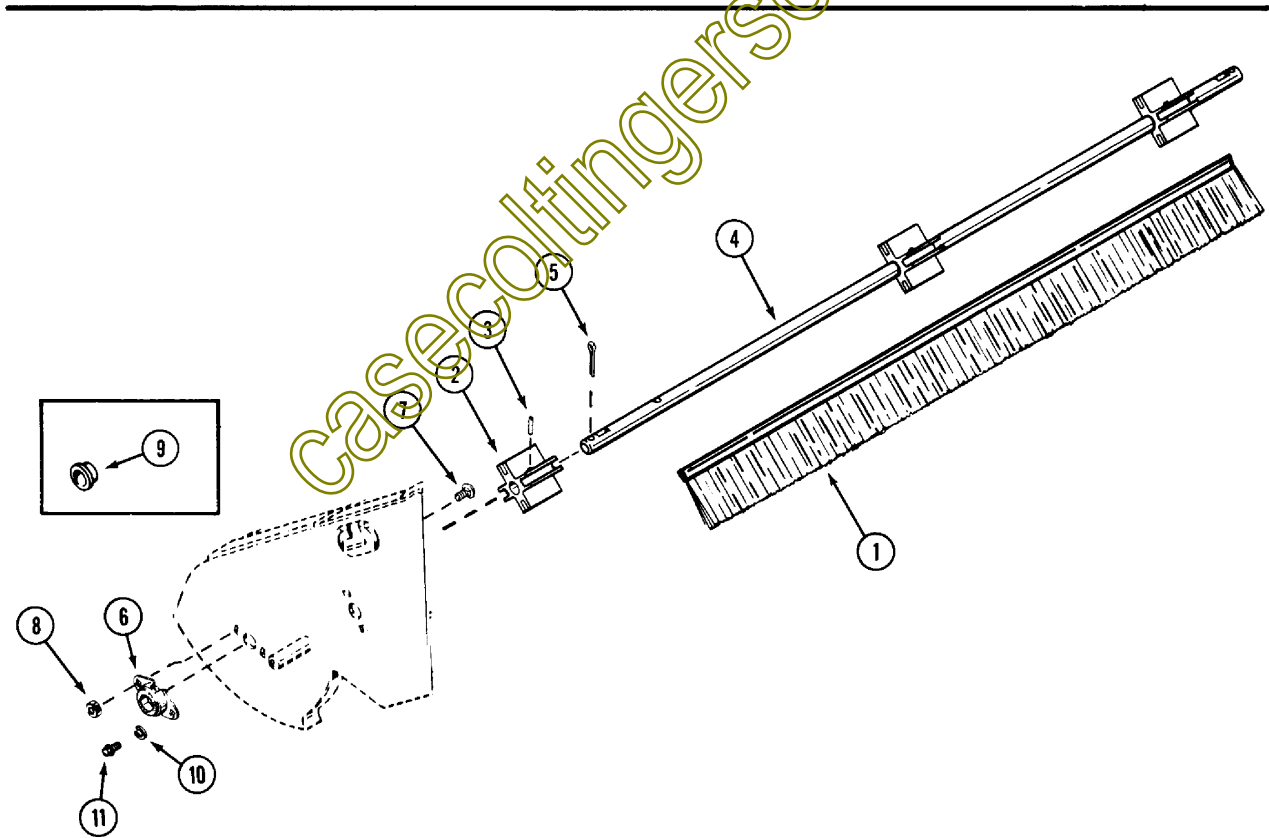
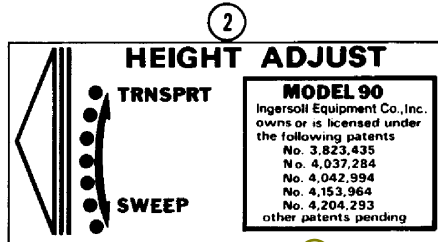
INDEX

DRIVE WHEELS AND GEARS

1	C25692	WHEEL ASSEMBLY - drive	2
2	C28308	BUSHING - wheel, drive	4
3	C25178	WASHER-special	12
4	113-118	BOLT-5/16"x5/8"N.C.hex	2
5	192-20	LOCKWASHER - 5/16"	2
6	195-2175	WASHER - 5/16" x 1-1/4"	2
7	195-2063	WASHER - 1" (UAR on N90, P90, R90, S90, SW38)	12
8	C23863	PAWL - ratchet (L90)	4
9	C24014	GEAR - pinion, drive (L90)	4
10	NSS	SHIELD - wheel L.H. (use C27741 and C27740 before date code 483)	1
10	NSS	SHIELD - wheel R.H. (Use C27742 and C27740 before date code 483)	1
10	C27741	SHIELD - wheel L.H. (use date code 483 and after)	1
10	C27742	SHIELD - wheel R.H. (use date code 483 and after)	1
11	C28246	WASHER - spacer (2 inside, 1 outside on N90)	4 UAR
12	C25141	GEAR - pinion, drive	4
13	138-2071	PIN - spiral 3/16" x 15/16"	8
14	C20036	SPRING - compression	4

INGERSOLL

CASE
hi sweep™ 38



DECALS

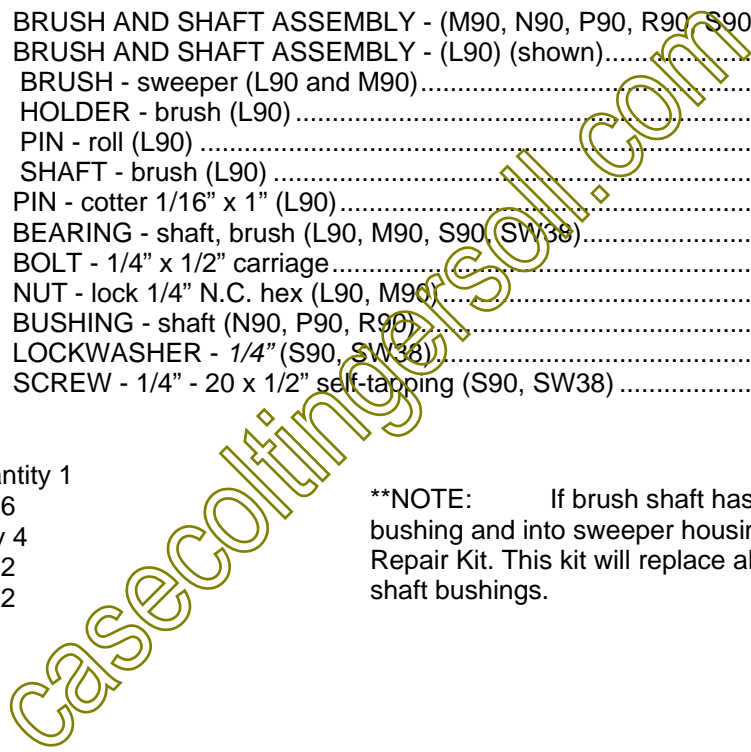
REF.	PART NO.	DESCRIPTION	REQ'D
1	321-6379	DECAL - "CASE"	1
2	C27598	DECAL - height adjust (P90)	1
2	C33883	DECAL - height adjust (L90, M90, N90, R90, S90, SW38) shown	1
3	NSS	DECAL - stripe CR90, S90, SW38) (use C31328 cut to length)	1
4	C27935	DECAL - "hi sweep 38" CR90, 590, SW38) shown	1
4	C27196	DECAL - "hi sweep 38" (P90)	1
5	C31989	DECAL - "INGERSOLL" (R90, S90, SW38)	1

BRUSH ASSEMBLY AND BEARINGS

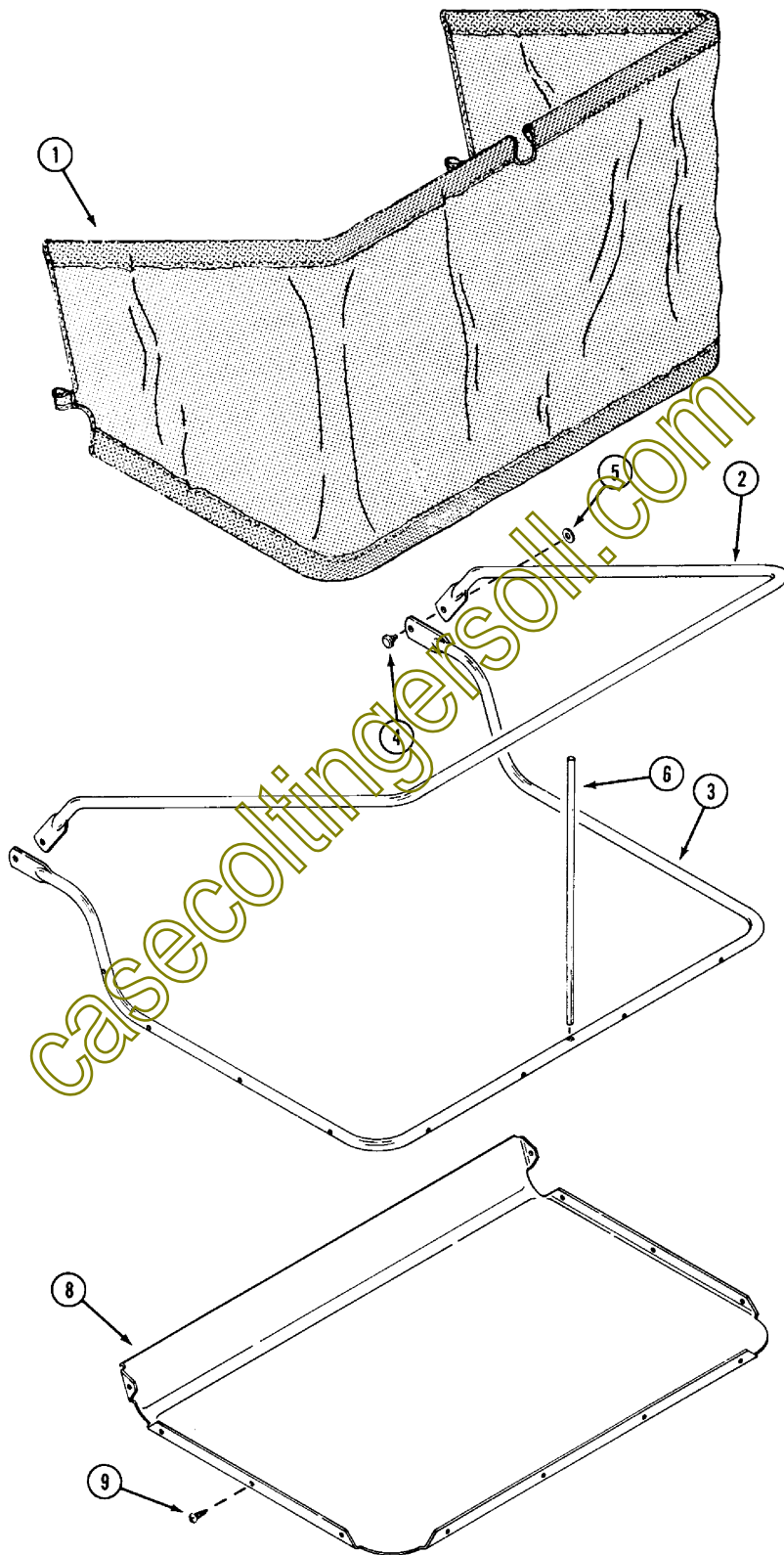
	C25055	BRUSH AND SHAFT ASSEMBLY - (M90, N90, P90, R90, S90, SW38)	2
	NSS *	BRUSH AND SHAFT ASSEMBLY - (L90) (shown)	2
1	C22255	BRUSH - sweeper (L90 and M90)	4
2	C23214	HOLDER - brush (L90)	3
3	138- 97	PIN - roll (L90)	3
4	NSS	SHAFT - brush (L90)	1
5	132- 378	PIN - cotter 1/16" x 1" (L90)	4
6	C40716	BEARING - shaft, brush (L90, M90, S90, SW38)	4
7	111-118	BOLT - 1/4" x 1/2" carriage	8
8	131-1102	NUT - lock 1/4" N.C. hex (L90, M90)	8
9	C27501 * *	BUSHING - shaft (N90, P90, R90)	4
10	192-19	LOCKWASHER - 1/4" (S90, SW38)	8
11	187-1036	SCREW - 1/4" - 20 x 1/2" self-tapping (S90, SW38)	8

*Use C25055 quantity 1
 C25178 quantity 6
 138-2071 quantity 4
 C20036 quantity 2
 C25141 quantity 2

**NOTE: If brush shaft has worn thru bushing and into sweeper housing, use C28036 Repair Kit. This kit will replace all four brush shaft bushings.



INDEX



INDEX

MODEL L90, M90, N90, P90, R90, 590 AND SW38 LAWN SWEEPER

BASKET AND FRAME			
REF.	PART NO.	DESCRIPTION	REQ'D
	C 29618	BASKET ASSEMBLY .includes ref. 1, 2, 3, 4, 8, 9	1
1	C 23232	BASKET - fabric	1
2	C 23229	FRAME - basket, upper	1
3	C 23227	FRAME - basket, lower	1
4	C 23599	RIVET - basket, pivot	2
5	195- 518	WASHER - basket, 1/4"	2
6	C 26876	ROD - support, basket.....	1
8	C 23230	PAN - basket	1
9	187-1016	SCREW-#8x1/2"	12

casecoltingersoll.com