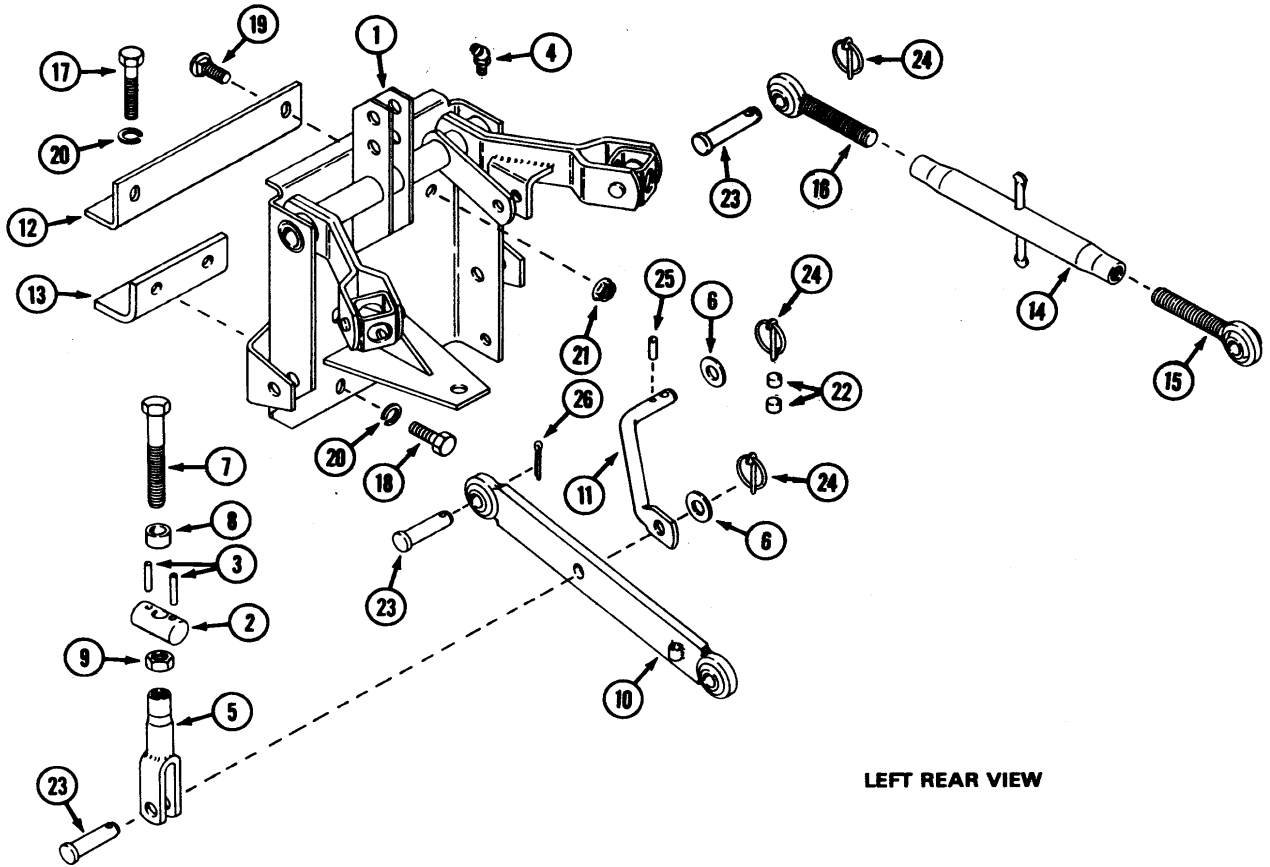


INDEX

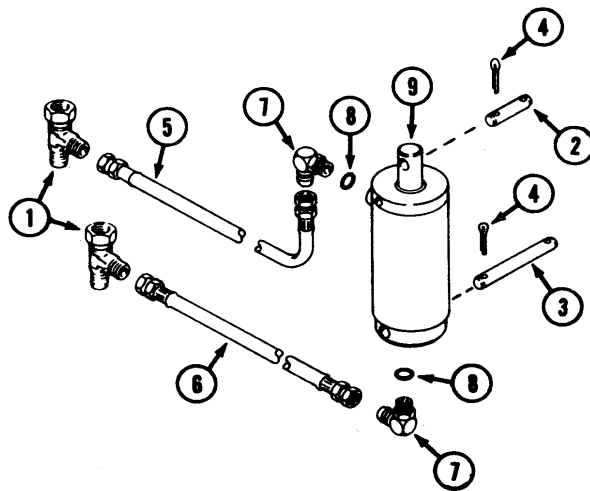
HH34 THREE POINT HITCH



LEFT REAR VIEW

INDEX

LEFT REAR VIEW



INDEX**HH34 THREE POINT HITCH**

REF.	PART NO.	DESCRIPTION	REQ'D
1	C32215	PLATE - hitch	1
2	C32230	SWIVEL - lift link.....	2
3	C32231	PIN – spiral 3/16" x 1-1/2".....	4
4	219-405	FITTING - grease	2
5	C32428	LINK - adjusting.....	2
6	195-541	WASHER - 5/8"	2
7	C32235	BOLT - 5/8"-11 x 5".....	1
8	C32239	SPACER - bolt.....	1
9	129-107	NUT - 5/8" - 11.....	1
10	C32240	ARM - lift.....	2
11	C32242	ARM - stabilizer	1
12	C32243	BRACKET - angle.....	1
13	C32244	SUPPORT - angle	1
	C32248	UPPER LINK ASSY.....	1
14	C32249	TUBE - upper link	1
15	C32426	BALLJOINT - R.H.....	1
16	C32427	BALLJOINT - L.H	1
17	113-447	BOLT - 1/2" – 13 x 3-1/2"(use with 3000 series tractors)	1
17	113-426	BOLT - 1/2" - 13 x 2-3/4" (use with 4000 series tractors)	1
18	113-417	BOLT - 1/2" – 13 x 1-1/4".....	2
19	111-517	BOLT - 1/2" – 13 x 1" carriage.....	2
20	192-23	LOCKWASHER - 1/2".....	3
21	131-930	NUT - 1/2"-13 flangelock	2
22	C14768	SPACER - click pin.....	2
23	C14717	PIN – clevis 5/8" x 2-1/2"	6
24	C28222	PIN - click	6
25	138-2073	PIN – spiral 3/16" x 1-1/4".....	1
26	132-348	PIN – cotter 1/4" x 1-1/4"	2

INDEX**HH34 THREE POINT HITCH CYLINDER**

1	218-5479	FITTING - tee 1/2" - 20 swivel female x 1/2" -20 male	2
2	C28189	PIN - cylinder rod 1/2" x 2-1/8"	1
3	C32254	PIN - cylinder foot 1/2" x 4-5/8".....	1
4	132-310	PIN - cotter 1/8" x 1"	4
5	C32247	HOSE - hydraulic 1/4" x 33" (cylinder to forward valve port)	1
6	C32246	HOSE - hydraulic 1/4" x 24 (cylinder to rear valve port)	1
7	218-5104	FITTING - 90° elbow 5/16" tube x 1/2"-20	2
8	218-5004	O-Ring.....	1
9	C32245	CYLINDER - lift.....	1
	C34533	KIT - seal	1