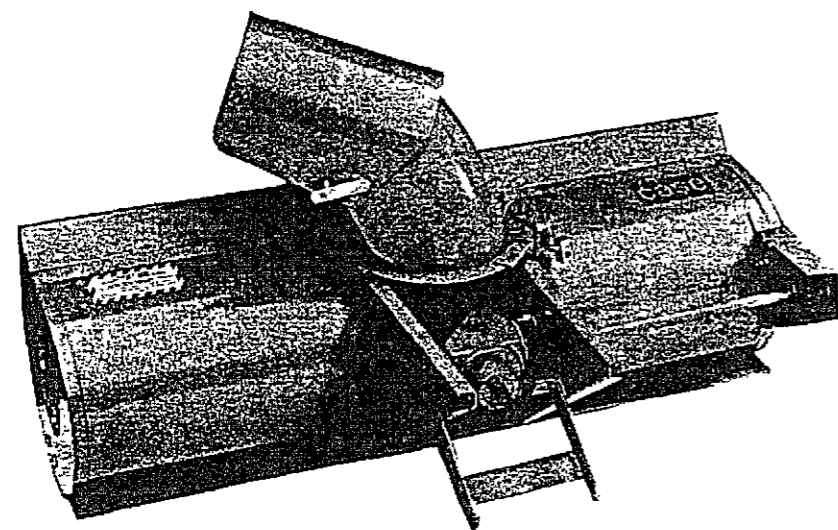


MODELS G80 AND G84 SNOWCASTERS

Parts Catalog A1159

Print Shop 1500 1-75 



ALPHABETICAL INDEX

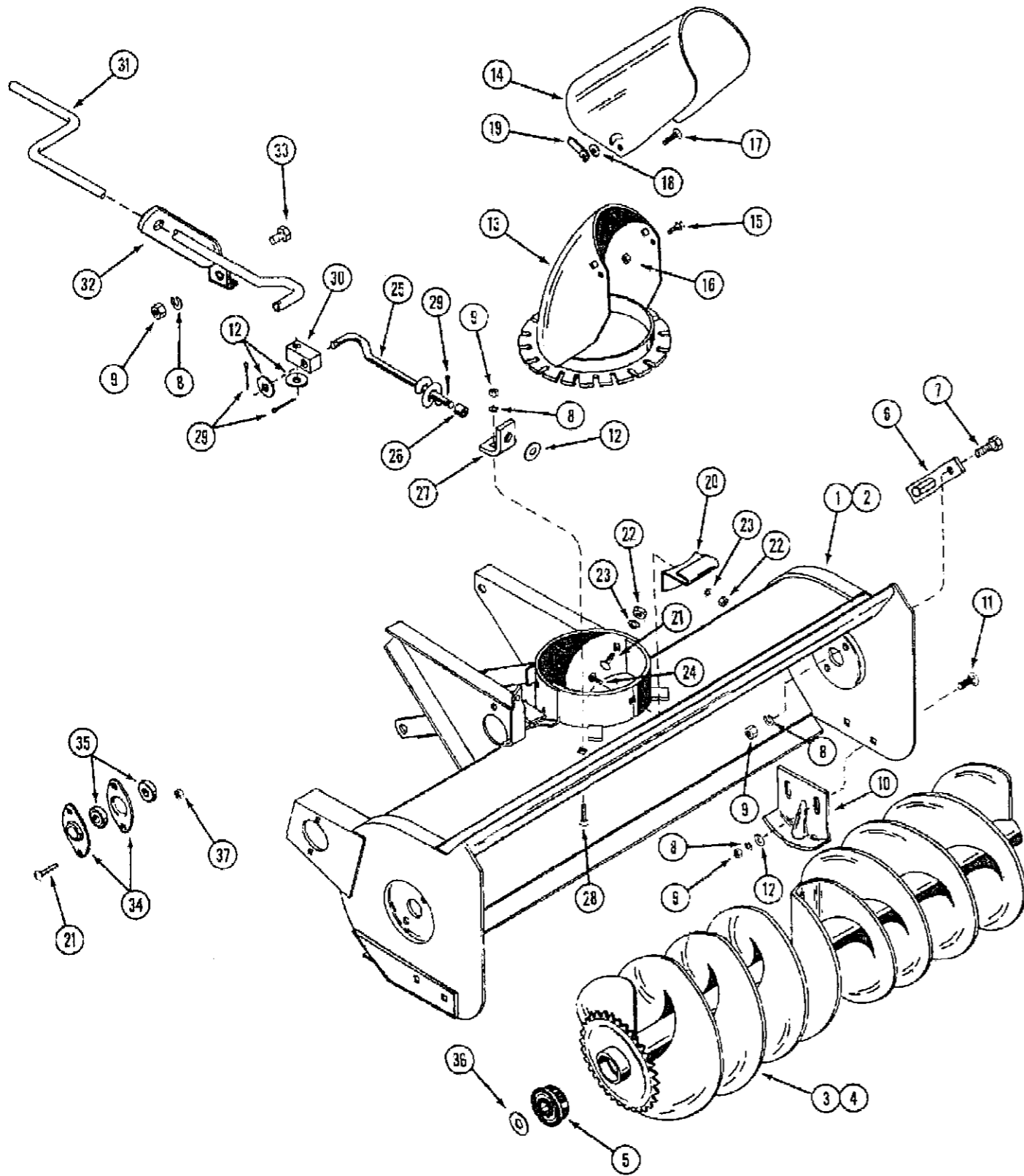
	PAGE	GRID
Auger Assembly	5	A4
Chute Assembly	5	A4
Drive Assembly	9	A8
Drive Shaft	9	A8
Gearbox	9-11	A8-A10
Lift Assembly	7	A6

DESIGNATION	TRACTOR APPLICATION			
	220	222	442	444
G 80	X	X		
G 84			X	X

SERIAL NUMBERS

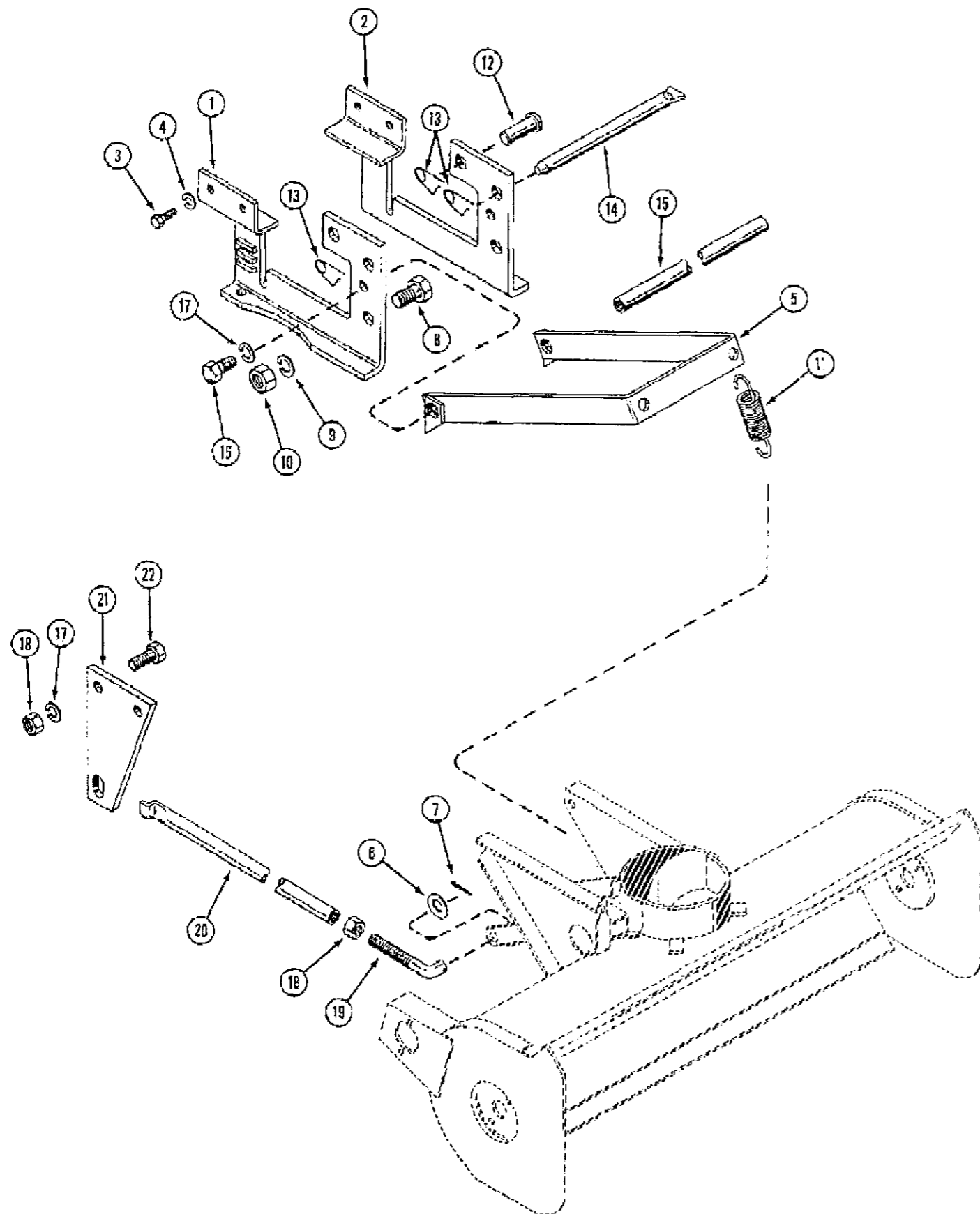
When using this catalog, notice the reference to serial numbers of various components noted here and listed in the "description" copy. By referring to correct serial numbers, proper parts identification will be assured.

AUGER AND CHUTE CONTROL
MODEL G 80 38" FOR 220 AND 222 TRACTORS
MODEL G 84 48" FOR 442 AND 444 TRACTORS



REF. PART NO.	DESCRIPTION	REQ'D
1 C 15267	HOUSING - auger 38"	1
2 C 15529	HOUSING - auger 48"	1
3 C 15205	AUGER - 38"	1
4 C 15201	AUGER - 48"	1
5 C 14421	BEARING - auger	2
6 C 15186	SHAFT - auger mounting	2
7 113- 206	BOLT - 3/8" x 3/4" NC hex	4
8 192- 21	LOCKWASHER - 3/8" ZP	11
9 129- 103	NUT - 3/8" NC hex ZP	11
10 C 15190	SKID - auger housing	2
11 111- 317	BOLT - 3/8" x 1" NC round head, short, square neck	4
12 195- 525	WASHER - 3/8" ZP	7
13 C 15248	CHUTE	1
14 C 14597	DEFLECTOR	1
15 113- 1	BOLT - 1/4" x 1/2" NC hex	2
16 131- 1102	NUT - 1/4" NC locking	2
17 111- 340	BOLT - 3/8" x 3/4" NC round head, square neck	2
18 D 33544	WASHER - dished 25/64"	2
19 C 14569	LEVER - locking, deflector	2
20 C 15334	BRACKET - chute holddown	3
21 111- 202	BOLT - 5/16" x 3/4" NC round head, square neck	4
22 129- 102	NUT - 5/16" NC hex	5
23 192- 20	LOCKWASHER - 5/16"	4
24 113- 102	BOLT - 5/16" x 3/4" NC hex	1
25 C 15244	ROD - chute control	1
26 C 15277	SPACER	1
27 C 15240	BRACKET - control rod	1
28 111- 324	BOLT - 3/8" x 7/8" NC round head, square neck	1
29 132- 320	PIN - cotter 3/32" x 3/4"	3
30 C 14583	JOINT - block	1
31 C 14584	CRANK - chute control	1
32 C 15957	BRACKET - crank	1
33 113- 207	BOLT - 3/8" x 1" NC hex	1
34 C 15514	FLANGETTE	2
35 C 14419	BEARING - includes collar and setscrew	1
321- 1571	DECAL - "CASE"	1
C 12296	DECAL - "CAUTION"	1
36 195- 545	WASHER - 13/16"	UAR
37 131- 176	NUT - 5/16" NC hex	2

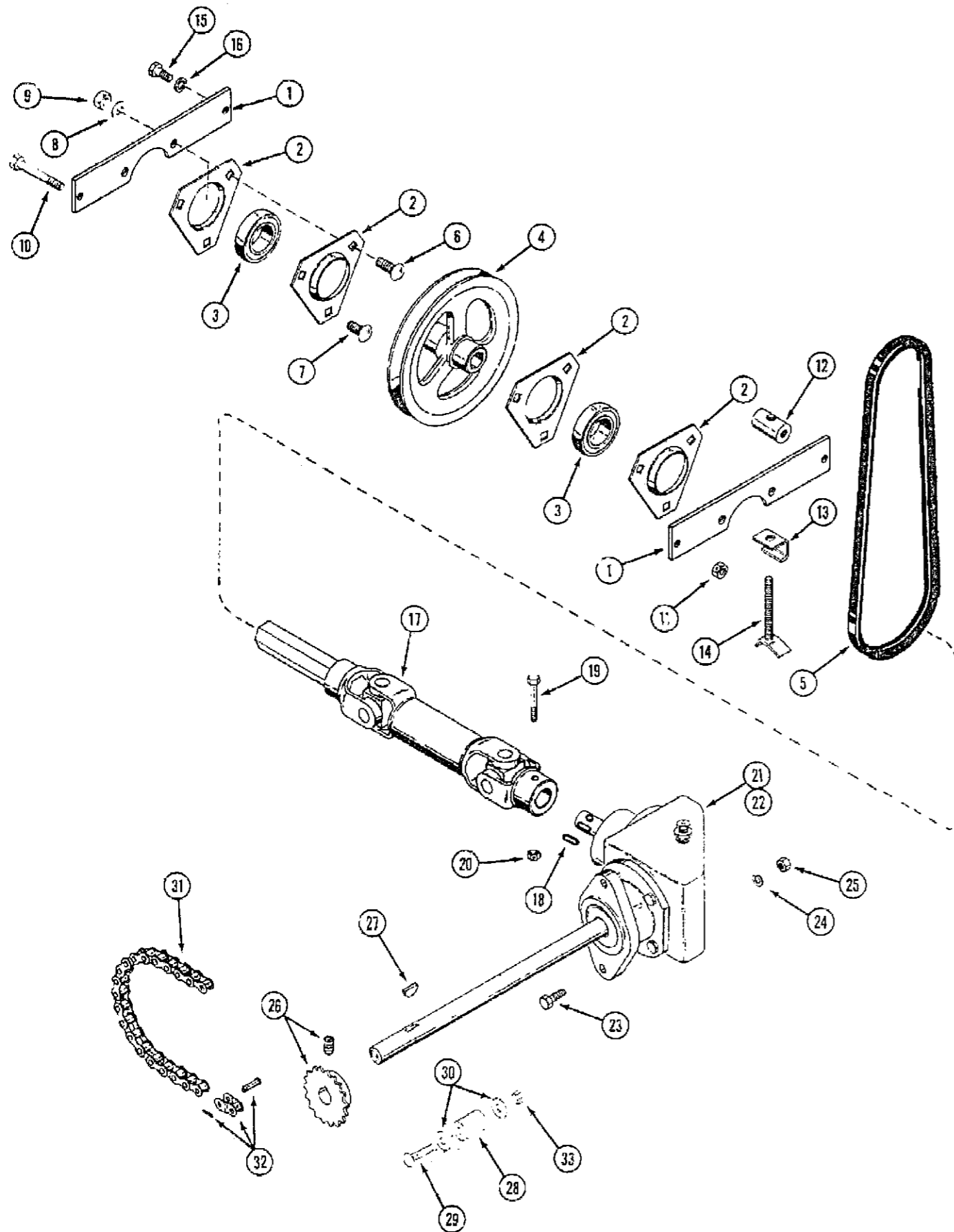
LIFT ASSEMBLY



REF. PART NO.	DESCRIPTION	REQ'D
1 C 14646	BRACKET - mounting R.H.	1
2 C 14647	BRACKET - mounting L.H.	1
3 113- 207	BOLT - 3/8" x 1" NC hex	4
4 192- 21	LOCKWASHER - 3/8"	4
5 C 14632	BRACKET - spring anchor	1
6 195- 530	WASHER - 1/2" ID ZP	2
7 132- 34	PIN - cotter 3/32" x 1-3/4"	2
8 113- 602	BOLT - 5/8" x 1" NC hex	2
9 192- 25	LOCKWASHER - 5/8"	2
10 129- 107	NUT - 5/8" NC hex	2
11 C 14482	SPRING - lift	2
12 C 12692	PIN - clevis 5/8"	2
13 C 10898	PIN - safety	3
14 C 14635	PIN - mounting	1
15 C 14363	SPACER - mounting bracket	1
16 113- 424	BOLT - 1/2" x 1" NC hex	2
17 192- 23	LOCKWASHER - 1/2"	4
18 129- 105	NUT - 1/2" NC hex	4
19 C 14413	"J" BOLT - lift rod	2
20 C 14414	ROD - lift	2
21 C 14415	LEVER - push rod	2
22 113- 417	BOLT - 1/2" x 1-1/4" NC hex	2

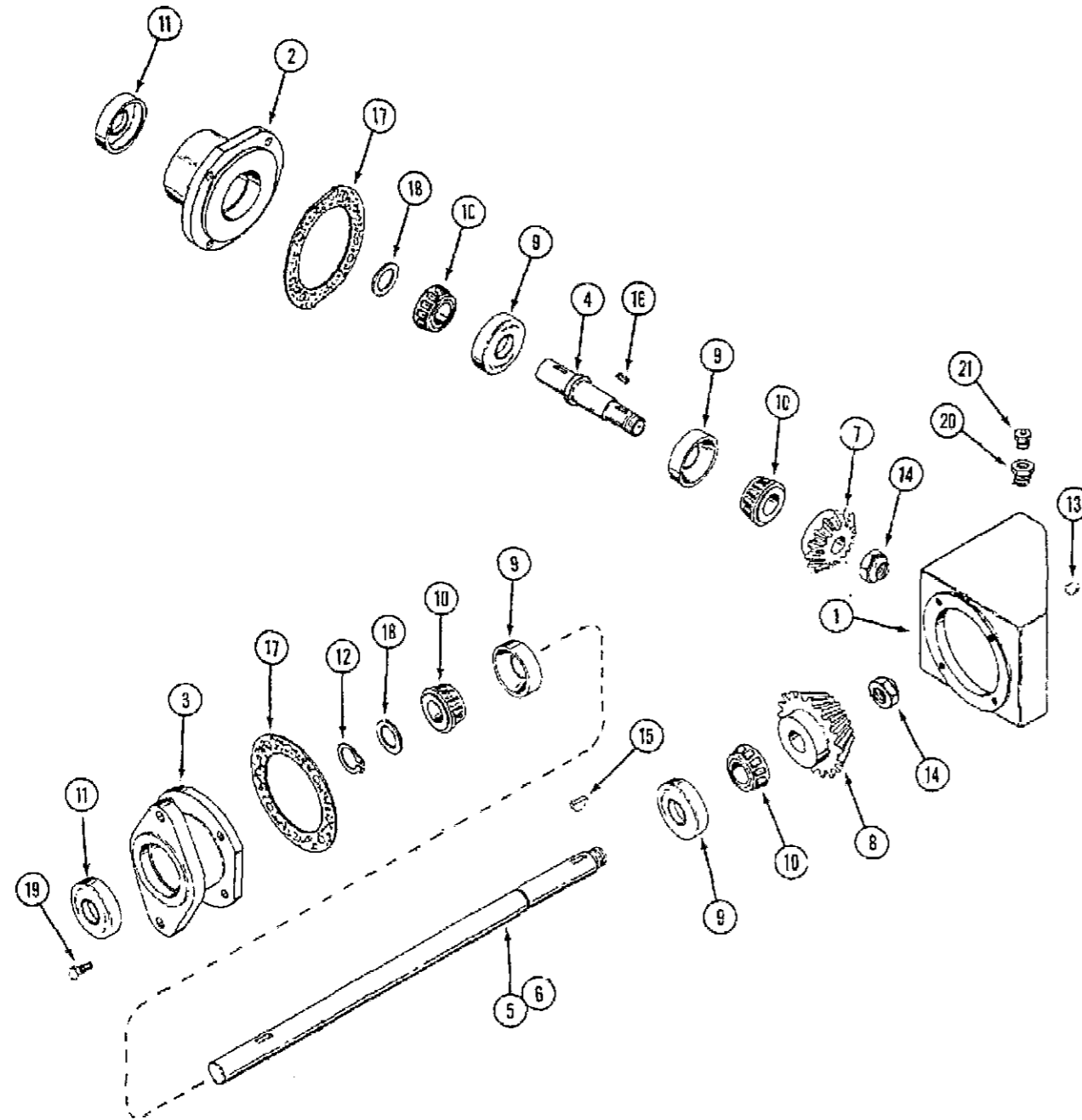
DRIVE ASSEMBLY

MODEL G80 38" FOR 220 AND 222 TRACTORS
MODEL G84 48" FOR 442 AND 444 TRACTORS



REF. PART NO.	DESCRIPTION	REQ'D
1 C 15261	PLATE - bearing mounting	2
2 C 14504	FLANGETTE	4
3 C 14505	BEARING - pulley	2
4 C 14113	PULLEY - PTO	1
5 C 14116	BELT - PTO drive	1
6 111- 362	BOLT - 3/8" x 1" NC round head, square neck	4
7 111- 340	BOLT - 3/8" x 3/4" round head, square neck	2
8 192- 21	LOCKWASHER - 3/8" ZP	6
9 129- 103	NUT - 3/8" NC hex ZP	6
10 113- 111	BOLT - 5/16" x 2-1/2" NC hex	1
11 131- 178	NUT - lock 5/16" NC hex	1
12 C 15204	BLOCK - belt tension	1
13 C 14353	LOCK - belt tension	1
14 C 15262	SCREW - adjust	1
15 113- 102	BOLT - 5/16" x 3/4" NC hex	2
16 192- 20	LOCKWASHER - 5/16" ZP	2
17 C 15774	SHAFT - drive	1
18 C 14606	KEY - flat 3/16" x 1"	1
19 113- 132	BOLT - 1/4" x 1-3/4" NC hex	1
20 131- 1102	NUT - lock 1/4" NC hex	1
21 C 15505	GEARBOX ASSEMBLY - G84 (Repairs page 11)	1
22 C 15506	GEARBOX ASSEMBLY - G80 (Repairs page 11)	1
23 113- 208	BOLT - 3/8" x 1-1/4" NC hex ZP	2
24 192- 21	LOCKWASHER - 3/8" ZP	2
25 129- 103	NUT - 3/8" NC hex ZP	2
26 C 14579	SPROCKET - drive, includes setscrews	1
27 126- 16	KEY - Woodruff 3/16" x 3/4"	1
28 C 16158	BLOCK - idler	1
29 111- 349	BOLT - 3/8" x 2-1/2" round head, square neck	1
30 195- 2029	WASHER - 7/16"	2
31	CHAIN - auger drive 64 pitches #40 roller chain, use	1
	1 - B12470 chain 50 links #40	
	2 - B12473 chain 6 links #40	
	1 - B12501 connecting link #40	
	1 - B12503 roller link #40	
B 12470	CHAIN - 50 links #40	1
B 12473	CHAIN - 6 links #40	2
B 12501	LINK - connecting #40	1
B 12503	LINK - roller #40	1
32 B 12502	LINK - offset #40	1
33 131- 178	NUT - lock 3/8" NC hex	1

CASE MODEL G80 AND G84 SNOWCASTERS
GEAR BOX ASSEMBLY



REF. PART NO.	DESCRIPTION	REQ'D
C 15505	GEAR BOX - complete for Model G84	1
C 15506	GEAR BOX - complete for Model G80	1
1 C 11850	HOUSING - gear box	1
2 C 11851	HOUSING - input bearing	1
3 C 11852	HOUSING - output bearing	1
4 C 14605	SHAFT - input	1
5 C 15503	SHAFT - output G84	1
6 C 15504	SHAFT - output G80	1
7 C 11855	GEAR - pinion	1
8 C 11856	GEAR - output	1
9 B 12410	CUP - bearing	4
10 B 12411	BEARING - cone	4
11 C 12079	OIL SEAL	2
12 T 25683	RING - retaining	1
13 221- 841	PLUG - housing 1/4" NPT	2
14 131- 34	NUT - pinion retaining	2
15 126- 16	KEY - Woodruff 3/16" x 3/4"	1
16 C 14604	KEY - 3/16" x 3/4" square	1
17 T 32754	GASKET	2
18 C 12077	SPACER - bearing	2
19 15- 412	BOLT - 1/4" x 3/4" NC hex	8
20 221- 51	BUSHING - reducer 1/4" NPT to 1/8"	1
21 A 50096	VENT - pressure relief	1

NUMERICAL INDEX

PART. NO.	PAGE NO.	REF. NO.	PART NO.	PAGE NO.	REF. NO.	PART NO.	PAGE NO.	REF. NO.	
A	50096	11	21	C	15514	5	34		
B	12410	11	9	C	15529	5	2		
B	12411	11	10	C	15774	9	17		
B	12470	9		C	15957	5	32		
B	12473	9		C	16158	9	28		
B	12501	9		D	33544	5	18		
B	12502	9	32	T	25683	11	12		
B	12503	9		T	32754	11	17		
C	10898	7	13	HARDWARE CODE NUMBERS					
C	11850	11	1	15-	412	11	19		
C	11851	11	2	111-	202	5	21		
C	11852	11	3	111-	317	5	11		
C	11855	11	7	111-	324	5	28		
C	11856	11	8	111-	340	5	17		
C	12077	11	18	111-	340	9	7		
C	12079	11	11	111-	349	9	29		
C	12296	5		111-	362	9	6		
C	12692	7	12	113-	1	5	15		
C	14113	9	4	113-	1C2	5	24		
C	14116	9	5	113-	102	9	15		
C	14353	9	13	113-	111	9	10		
C	14363	7	15	113-	132	9	19		
C	14413	7	19	113-	206	5	7		
C	14414	7	20	113-	207	5	33		
C	14415	7	21	113-	207	7	3		
C	14419	5	35	113-	208	9	23		
C	14421	5	5	113-	417	7	22		
C	14482	7	11	113-	424	7	16		
C	14504	9	2	113-	602	7	8		
C	14505	9	3	126-	16	9	271		
C	14569	5	19	126-	16	11	15		
C	14579	9	26	129-	1C2	5	22		
C	14583	5	30	129-	1C3	5	9		
C	14584	5	31	129-	1C3	9	9		
C	14597	5	14	129-	1C3	9	25		
C	14604	11	16	129-	105	7	18		
C	14605	11	4	129-	107	7	10		
C	14606	9	18	131-	34	11	14		
C	14632	7	5	131-	176	5	37		
C	14635	7	14	131-	176	9	11		
C	14646	7	1	131-	178	9	33		
C	14647	7	2	131-	1102	5	16		
C	15186	5	6	131-	1102	9	20		
C	15190	5	10	132-	34	7	7		
C	15201	5	4	132-	320	5	29		
C	15205	5	3	192-	20	5	23		
C	15240	5	27	192-	20	9	16		
C	15244	5	25	192-	21	5	8		
C	15248	5	13	192-	21	7	4		
C	15261	9	1	192-	21	9	8		
C	15262	9	14	192-	21	9	24		
C	15264	9	12	192-	23	7	17		
C	15267	5	1	192-	25	7	9		
C	15277	5	26	195-	525	5	12		
C	15334	5	20	195-	530	7	6		
C	15503	11	5	195-	545	5	6		
C	15504	11	6	195-	2029	9	30		
C	15505	9	21	221-	51	11	20		
C	15505	11		221-	841	11	13		
C	15506	9	22	321-	1571	5			
C	15506	11							

INGERSOLL
Ingersoll Equipment Co., Inc.