



Sleeve Hitches

J22 and J24

Operator's Manual 9-99724

JI Case
A Tenneco Company





This Safety Alert Symbol Indicates Important Safety Messages In This Manual When You See This Symbol Carefully Read The Message That Follows and Be Alert To The Possibility Of Personal Injury Or Death

IF THIS MACHINE IS USED BY AN EMPLOYEE OR IS LOANED OR RENTED, MAKE ABSOLUTELY CERTAIN THAT THE OPERATOR(S), PRIOR TO OPERATING:

1. IS INSTRUCTED IN SAFE AND PROPER USE.
2. REVIEWS AND UNDERSTANDS THE MANUAL(S) PERTAINING TO THE MACHINE.

751253



WARNING

BEFORE STARTING ENGINE

STUDY OPERATOR'S MANUAL SAFETY MESSAGES
READ ALL SAFETY SIGNS ON MACHINE
CLEAR THE AREA OF OTHER PERSONS

**LEARN & PRACTICE SAFE USE OF
CONTROLS BEFORE OPERATING**

IT IS YOUR RESPONSIBILITY TO UNDERSTAND AND FOLLOW MANUFACTURER'S INSTRUCTIONS ON MACHINE OPERATION, SERVICE, AND TO OBSERVE PERTINENT LAWS AND REGULATIONS. OPERATOR AND SERVICE MANUALS MAY BE OBTAINED FROM YOUR EQUIPMENT DEALER.

SAFETY MESSAGES



The safety messages contained in this manual are to be used together with the safety messages appearing in the tractor operator's manual. Be sure to review both carefully before operating the tractor - attachment combination.

CAUTION: Be sure to apply sufficient front counterweight to tractor before operating with rear mounted attachment. Driving tractor with insufficient front counterweight could result in front end tip-up and personal injury.



Apply at least 110 lbs. (50 kg) for 200 series tractors and 140 lbs. (64 kg) for 400 series tractors.

Heavy attachments and attachments that extend far behind tractor may require more counterweighting. Operate tractor with extreme care and at slow speed to determine if more than the minimum amount of counterweight listed above is required. Add counterweight as necessary to achieve front end stability.

DO NOT EXCEED SLEEVE HITCH LIFT CAPACITY.



CAUTION: Always lower any rear or front mounted implement to the ground when leaving the tractor unattended.



CAUTION: Place the transmission in neutral, set the parking brake and stop the engine before standing between the tractor and attachment when hitching.

INTRODUCTION

This manual covers recommended operating procedures, safety suggestions, adjustments, maintenance information, and installing instructions. Read this manual carefully before operating your hitch. Your J I Case Compact Tractor Dealer is well qualified to answer any further questions you might have concerning your hitch. Also, if the need should arise, his Service Department with factory trained technicians, genuine Case replacement parts and the necessary facilities is in a position to provide proper repairs in the shortest time possible.

The definitions "Right, Left, Front and Rear" as used throughout this manual relate to the tractor and hitch as the operator is seated facing forward in the normal operating position on the tractor.

IMPORTANT: Always install new decals whenever the old decals are destroyed, lost, painted over or illegible. When individual parts are replaced that have decals attached, be sure to install a new decal with the new part. Replacement decals are available from your Case Dealer.

HITCH APPLICATION CHART

HITCH MODEL	TRACTOR MODEL
J-22	220, 222, 224 (S/N 9646800 and after)
J-24	442, 444, 446 (S/N 9646800 and after)

NOTE: Part number C14462 lift lever plate required if hitch is mounted to above listed models prior to above listed serial numbers.

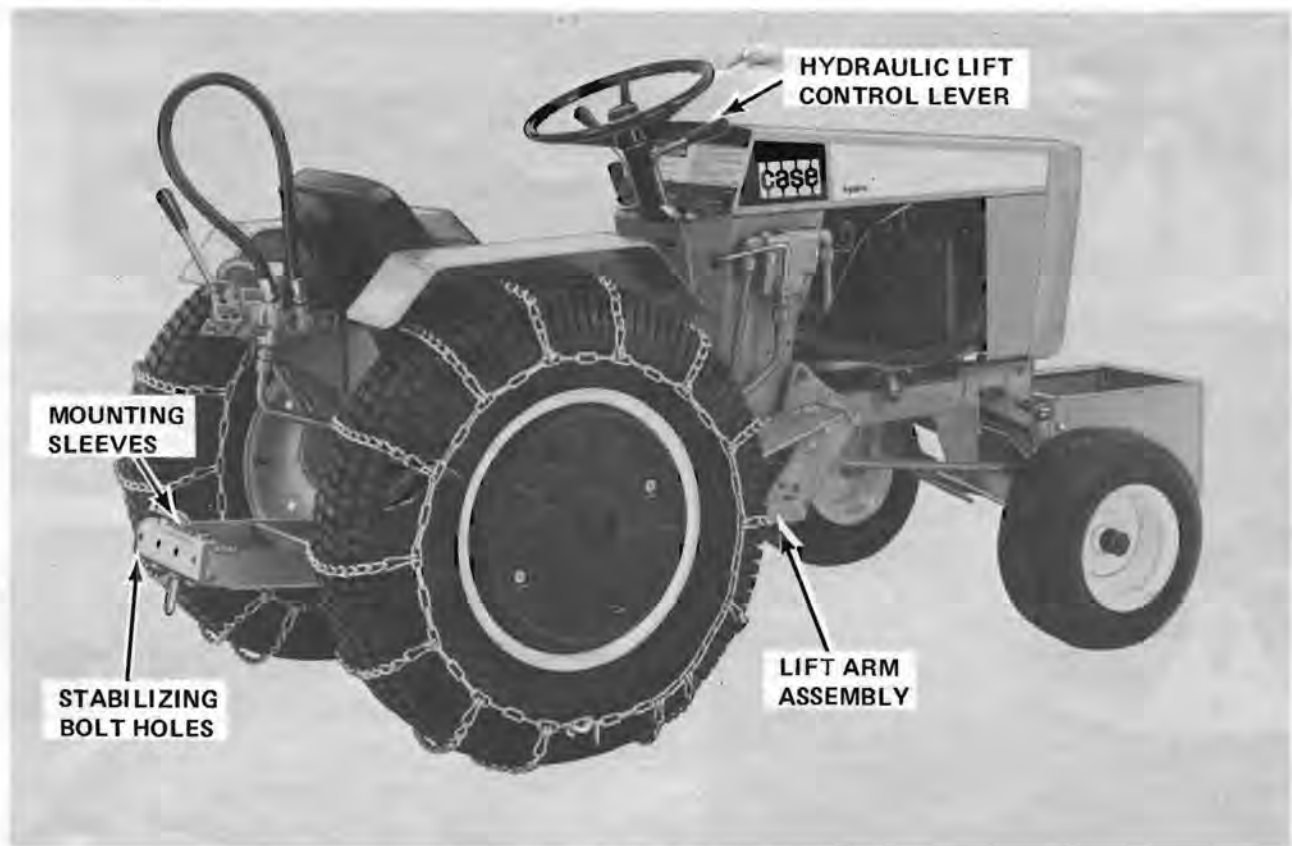


FIGURE 1

Model 446 Tractor shown with J-24 Sleeve Hitch, L-19 Flow Control, J-17 Hydraulic PTO, E-16 Tire Chains, K-10 Rear Wheel Weights and H-13 Front Weight Box.

OPERATING CONTROLS

1. **HYDRAULIC LIFT CONTROL LEVER** - See Figure 1. The sleeve hitch is raised and lowered with the hydraulic lift control lever. Since most rear mounted implements are heavy, the sleeve hitch should only be used on tractors equipped with hydraulic lift.

Pull back on the lift control lever, Figure 1, to raise the hitch. To lower the hitch and apply "down pressure," push the lever ahead to the first stop position. The control lever has a centering spring which returns the lever to neutral from either the "raise" or the "lower" and "down pressure" positions.

Push the lever further ahead to the second stop position to provide "floating" action for the implement. The control lever will remain in the "float" position until it is manually returned to neutral. The "float" position is recommended for tilling and plowing operations.



CAUTION: Always lower any rear or front mounted implement to the ground when leaving the tractor unattended.

2. **MOUNTING SLEEVES** - See Figure 1. There are three mounting sleeves on the hitch to permit centering or offsetting implements. When mounting a plow be careful to select a sleeve which will permit the share to cut cleanly to the edge of the furrow or to the inside of the right rear wheel.
3. **IMPLEMENT STABILIZING BOLTS** - See Figure 1. Four implement stabilizing bolts are furnished with the hitch to eliminate the lateral swing of mounted attachments if desired. A plow should not be stabilized.
4. **TRACTOR DRAWBAR** - See Figure 6. The tractor drawbar can be left installed when the sleeve hitch is mounted.

When not in use, the sleeve hitch may be bolted up to the tractor drawbar. Removal of the lift arm and adapter will permit use of a front or mid-mounted attachment without removal of the hitch assembly.

TIRE CHAINS AND WHEEL WEIGHTS

The use of tire chains and wheel weights is recommended with the sleeve hitch. The extra traction resulting gives the tractor operator increased maneuverability. Front end weights or front weight box is required for stability.



CAUTION: Be sure to apply sufficient front counterweight to tractor before operating with rear mounted attachment. Driving tractor with insufficient front counterweight could result in front end tip-up and personal injury.

Apply at least 110 lbs. (50 kg) for 200 series tractors and 140 lbs. (64 kg) for 400 series tractors.

Heavy attachments and attachments that extend far behind tractor may require more counterweighting. Operate tractor with extreme care and at slow speed to determine if more than the minimum amount of counterweight listed above is required. Add counterweight as necessary to achieve front end stability.

DO NOT EXCEED SLEEVE HITCH LIFT CAPACITY.

MAINTENANCE

1. Check the six mounting bolts for tightness after the first few hours of operation.
2. Oil the four pivot points and sleeve pin(s) daily when the hitch is in use.



CAUTION: Place the transmission in neutral, set the parking brake and stop the engine before standing between the tractor and attachment when hitching.

ADJUSTMENT

1. Lift Lever Extension

Four lift arm mounting holes are provided in the lift lever extension plate. Refer to Figures 2 and 3. SELECT THE CORRECT HOLE FOR YOUR MODEL TRACTOR.

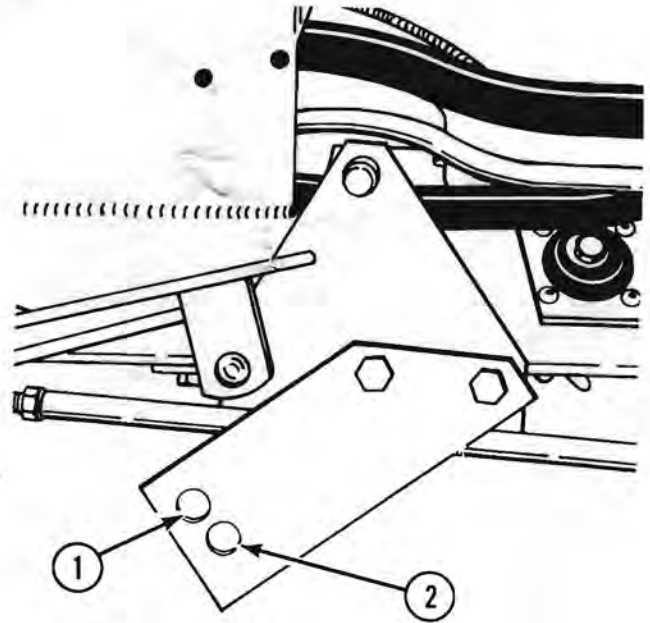


FIGURE 2 Lift lever extension plate (Early Production)

1. For Models 220, 222 and 224.
2. For Models 442, 444 and 446.

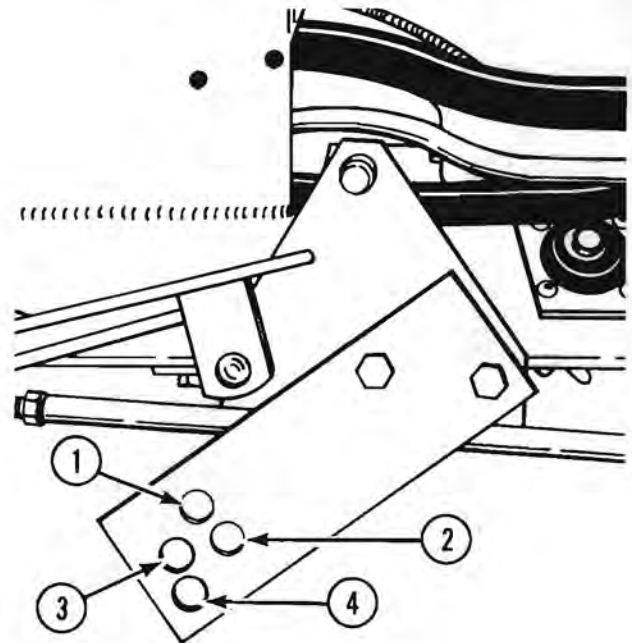


FIGURE 3 Lift lever extension plate (Late Production)

Holes 1 and 2 are used with Models J50 and J54 Utility Blade.

3. For Models 220, 222 and 224.
4. For Models 442, 444 and 446.

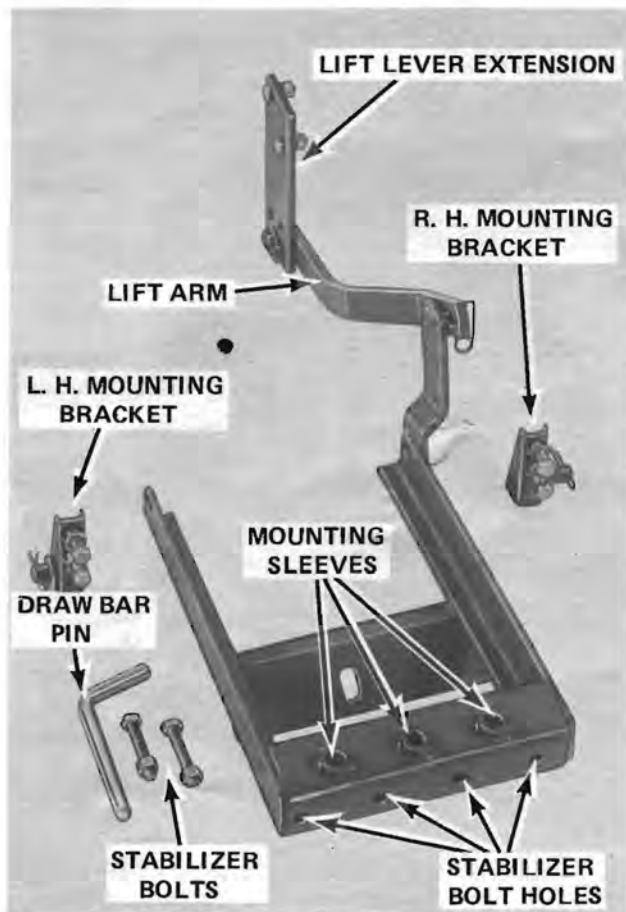


FIGURE 4 Model J-22 Sleeve Hitch

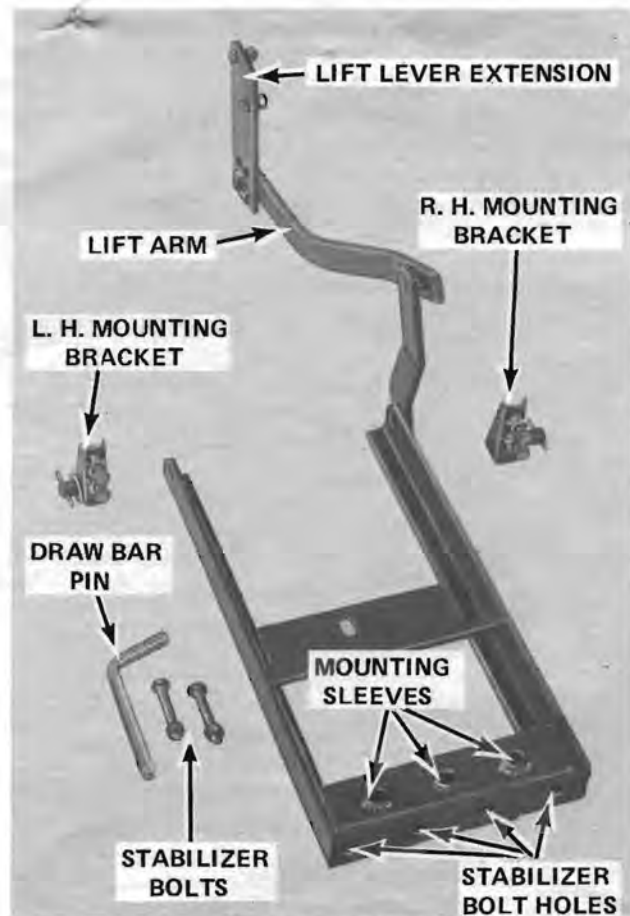


FIGURE 5 Model J-24 Sleeve Hitch

INSTALLATION

A. Check tires for equal and recommended pressure.

B. Perform the following: See Figures 6 and 7.

1. Attach the left mounting bracket loosely to the front of the left transaxle mounting boss at the upper hole only using one 1/2" bolt and lockwasher.
2. Insert the right mounting bracket pin through the right mounting arm of the hitch and secure with plain washer and safety pin to the outside.
3. Place the hitch onto the left mounting bracket pin and raise or block the right side into alignment in

front of the transmission mounting boss. Secure with the four 1/2" bolts and lockwashers.

4. Secure the Lift Lever Extension to the tractor lift lever with the two 1/2" bolts, nuts and lockwashers provided.
5. Connect the slotted end of the lift arm to the hitch and secure with the plain washer and safety pin.
6. Raise and block the hitch at a height sufficient to connect the pin to the proper mounting hole on the extension plate. See Paragraph 1 in the Adjustments Section. Secure with plain washer and safety pin.

NOTE: The J I Case Company reserves the right to make improvements in design or changes in specifications at any time without incurring any obligation to install them on units previously sold.

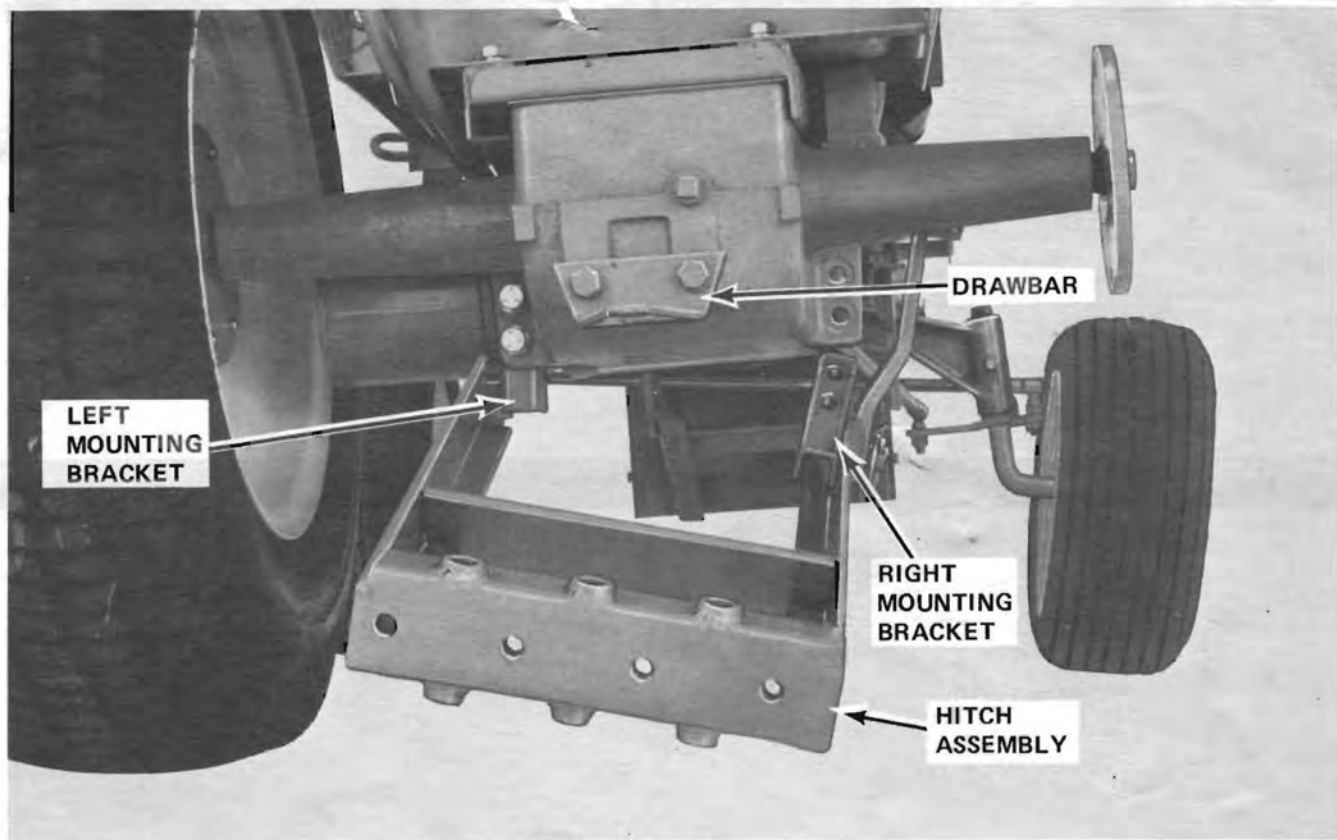


FIGURE 6 (Wheel and Tire removed for clarity)

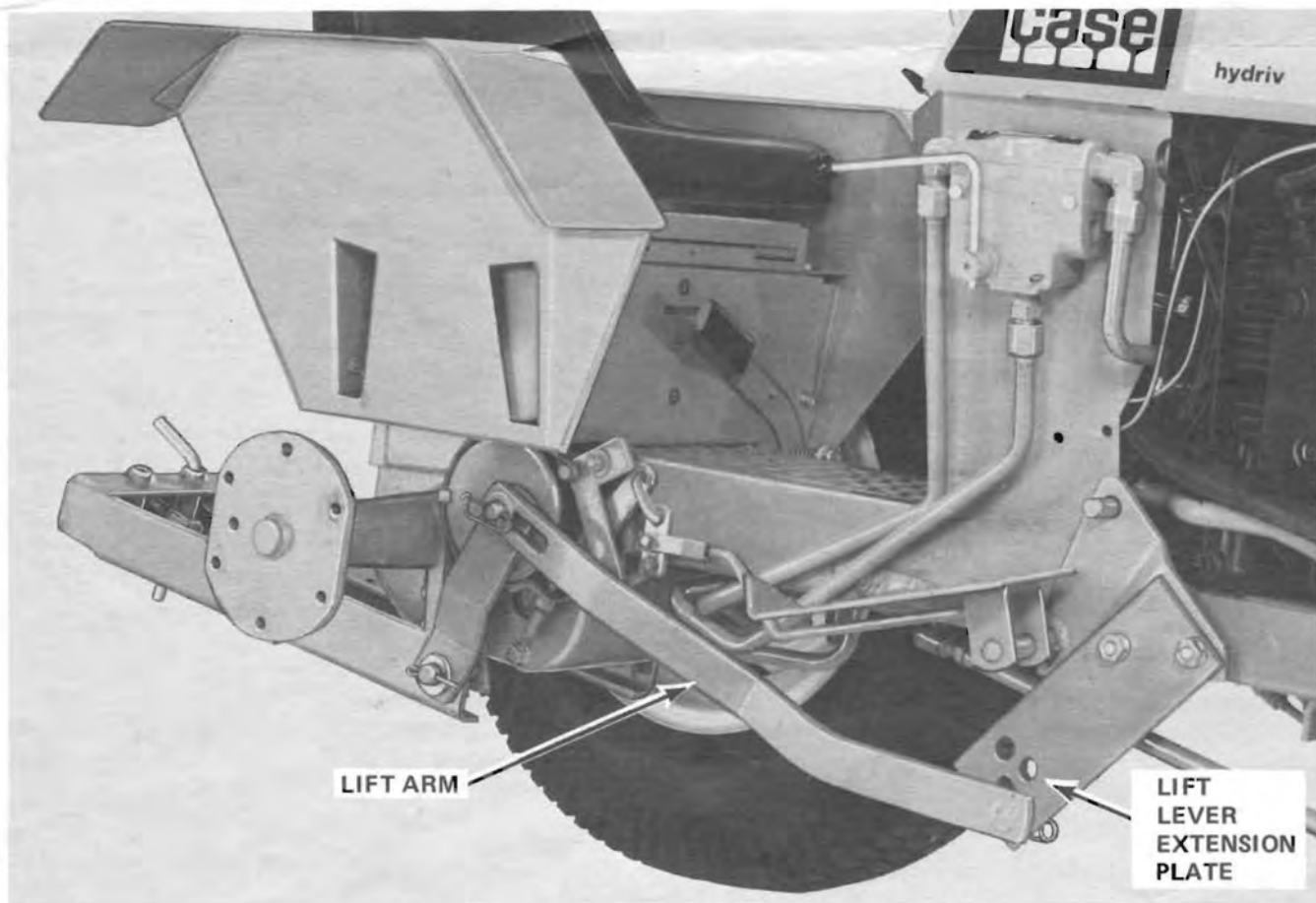


FIGURE 7 (Wheel and Tire removed for clarity)

Printed In U.S.A.