



Model J21

Sleeve Hitch

Operator's Manual 9-50571

J I Case
A Tenneco Company



INTRODUCTION

The Model J-21 Sleeve Hitch is designed for use on Case Model 210 Compact Tractors only. These hitches are furnished as a complete package with all necessary components.

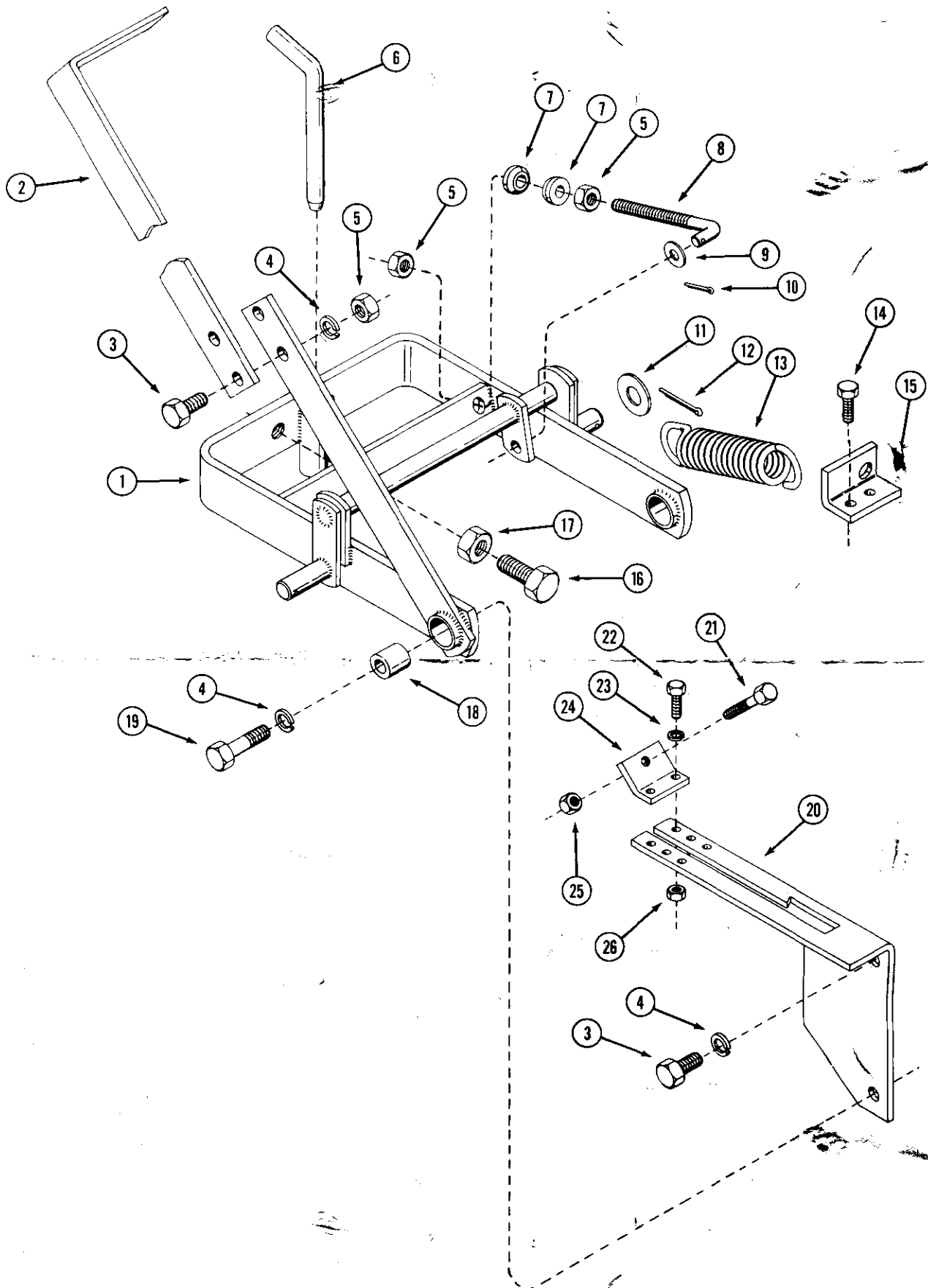
This manual covers recommended operating procedures, safety suggestions, adjustments, maintenance information, and installation instructions. Read this manual carefully

before operating your hitch. Your J I Case Compact Tractor Dealer is well qualified to answer any further questions you might have concerning your hitch.

The definitions "Right, Left, Front and Rear" as used throughout this manual relate to the tractor and hitch as the operator is seated facing forward in the normal operating position on the tractor.

INSTALLATION

1. Remove four transaxle mounting bolts (one side at a time) from the axle housing that go through the tabs on each side of the frame. Save the plain and lockwashers. Secure the spring brackets, left hand (ref. no. 15) and right hand (not shown) using 4-3/8" x 1" bolts furnished and lockwashers and plain washers saved previously.
 2. Attach lift stop bracket (ref. no. 24) to hitch latch (ref. no. 20) with threaded end up and rearward using two 5/16" x 1" bolts 5/16" lockwashers under bolt heads and 5/16" nuts, in the center pair of holes at the rear of the hitch catch slot. Leave the nuts loose in case the bracket has to be moved to a different pair of holes for desired final height adjustment. Install 3/8" x 2-1/2" bolt (ref. no. 21) thru threaded hole in lift stop bracket and 3/8" nut on back side of bracket to act as a locknut. Leave finger tight until ready for final adjustment.
 3. Attach hitch latch assembly (ref. no. 20) to the two rearmost threaded holes on the right side of the tractor frame. Use a 1/2" x 1" bolt (ref. no. 3) and 1/2" lockwasher and loosely install to upper hole in frame.
 4. Take hitch assembly (ref. no. 1) and install the two pivot sleeves (ref. no. 18) into the pivot holes. Place the lift handle up through the slot in the lift stop bracket, and align hitch with tractor. Raise the hitch to align the sleeves (ref. no. 18) with the lower holes in the tractor frame and loosely install the bolt and lockwasher on the right side. Assemble the left side in the same manner. These two bolts can now be tightened securely.
 5. Put the lift handle in the up position and latch it. Place the end of the assist spring (ref. no. 13) that is open 3/8" through the hole in the spring bracket (ref. no. 15) so the closed loop of the spring is "Up" as pictured. Hook the second spring in the same manner.
 6. Install the loose ends of both assist springs on the outboard stub shafts of the pivoting shaft. Place 3/4" flat washers (ref. no. 11) over the spring ends and install cotter pins 3/16" x 1-3/4" to retain the spring end and washer.
 7. Install drawbar pin (ref. no. 6) NOTE: Hitch will want to stay in an "UP" position due to assist spring tension. To lower hitch for attachment installation, set desired attachment behind the tractor in a close to final position while standing behind the tractor pull drawbar pin with one hand, push lift handle toward the outside of the tractor to release it and push the hitch down as far as possible with your foot. Pull the attachment into place and install pin.
- NOTE: This step may require assistance or can be done with proper blocking.



- Final Adjustments: Depth adjustments can be made by installing the desired attachment on the hitch and adjusting the lift stop bracket and bolt as outlined in step no. 2. Lift assist adjustment can be made by moving the nuts on the "J" bolt assembly (ref. 7 and 8). Lateral swing adjustment can be made by adjusting the bolts (ref. 16). (This can also be used to center the attachment behind the tractor).

NOTE: A plow should not be stabilized for lateral swing.

- Be sure all bolts and nuts are tightened securely and all cotter pins are spread properly.

- Avoid any possibility of a painful accident. Always lower any rear or front mounted implement to the ground when leaving the tractor unattended.

- Check the mounting bolts for tightness after the first few hours operation.

- Oil the two pivot points and sleeve pin daily when the hitch is in use.

NOTE: The J I Case Company reserves the right to make improvements in design or changes in specifications at any time without incurring any obligation to install them on units previously sold.

