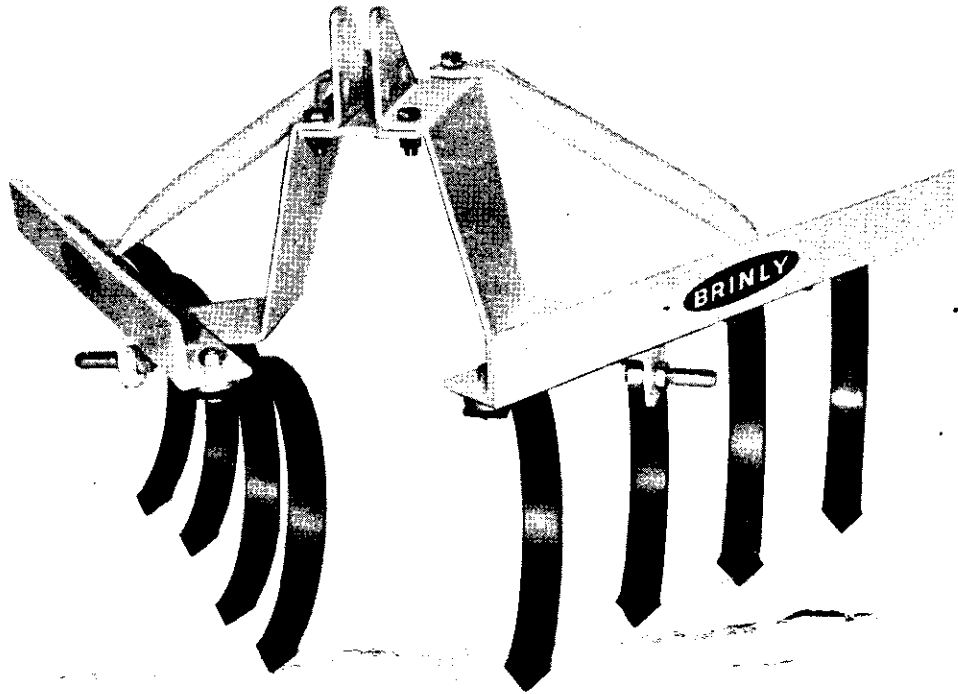


BRINLY B



MODEL CC-1000 3-POINT, ONE ROW SPRING SHANK CULTIVATOR

LIMITED WARRANTY

Brinly-Hardy Company warrants only to the original retail purchaser that this product will remain free of defects in workmanship and materials under normal use and service for a period of two (2) years (NOTE: ninety (90) days for commercial or rental use) commencing with the date of purchase.

Any parts found to be defective within the warranty period will be replaced, with proof of date of purchase, at Brinly-Hardy Company's expense. Our obligation under this warranty is expressly limited to replacement or repair, at our option of parts which are defective in material or workmanship within thirty (30) days of receipt of the parts. This warranty does not apply to damage caused by unreasonable use, including failure to provide necessary maintenance, nor does it apply to any transportation or labor charges.

WE MAKE NO OTHER EXPRESS WARRANTY NOR IS ANYONE AUTHORIZED TO MAKE ANY ON OUR BEHALF. ANY IMPLIED OR STATUTORY WARRANTIES, INCLUDING ANY WARRANTY OF MERCHANTABILITY OR FITNESS FOR A PARTICULAR PURPOSE, ARE LIMITED TO THE DURATION OF THIS WRITTEN WARRANTY. WE SHALL NOT BE LIABLE FOR CONSEQUENTIAL OR INCIDENTAL DAMAGES OF ANY KIND.

BRINLY-HARDY COMPANY (502) 585-3351

MADE IN U.S.A.

ASSEMBLY:

FIG. I

Assemble lower link pins (4) to "A" frame halves (5 & 6), using 5/8" jam nuts (12), 5/8" lock washers (13), and 5/8" hex nuts (11).

Attach "A" frame halves together as shown, with spacing plate (7). Secure with 1/2" x 1-3/4" hex bolts (9), lock washers (14), and hex nuts (10) (in front holes only). FINGER TIGHTEN.

Assemble frame angles (1) to "A" frame assembly as shown, securing with 1/2" x 1-3/4" Hex Bolts (9) 1/2" plain washers (15), 1/2" lock washers (14), and 1/2" hex nuts (10). FINGER TIGHTEN.

Assemble the two frame struts (2), to rear holes of "A" frame, securing with 1/2" x 1-3/4" hex bolts (9), lock washers (14), and hex nuts (10). FINGER TIGHTEN.

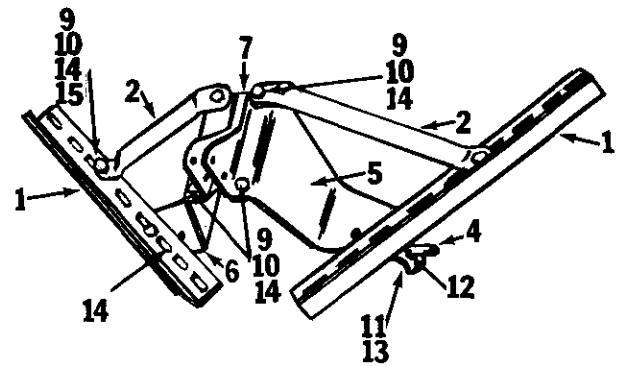


FIG. I

FIG. II

Swing frame struts (2) into position shown, and assemble lower ends to frame angles (1) using two 1/2" x 1-3/4" hex bolts (9), 1/2" plain washers (15), 1/2" lock washers (14), and 1/2" hex nuts (10). (NOTE — Frame is shown assembled in the most common 90° position.) Frame angle may be assembled or adjusted to larger or smaller angle as desired by position that frame struts (2) are attached to frame angles (1). (See Fig. II.)

Assemble spring shanks (8) to frame angles (1). Assemble two shanks at position 1, and 2, using existing frame bolt, nut and lock washer. **DO NOT USE THICK WASHERS AT POSITION 1 AND 2.**

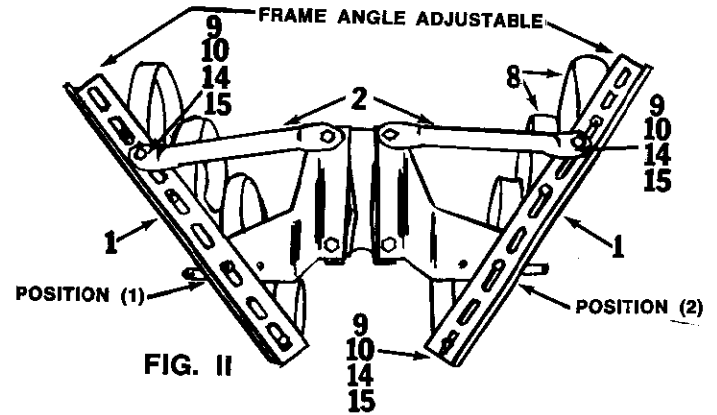


FIG. II

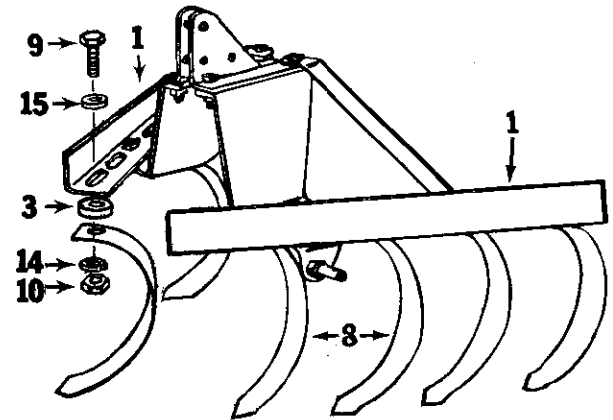


FIG. III

FIG. III

Assemble balance of spring shanks (8) as shown using 1/2" x 1-3/4" hex bolts (9), 1/2" plain washers (15), 1/2" lock washers (14), and 1/2" hex nuts (10). Use 3/8" THICK washers (3) between frame angle (1) and spring shanks (8). Align springs and TIGHTEN ALL BOLTS SECURELY.

PREPARATION OF TRACTOR & HITCH:

FIG. IV

Adjust rear wheels in or out to give maximum plant foliage clearance.

With hitch in lowered position, adjust lift rods until lower link ball ends are approximately 8" from ground.

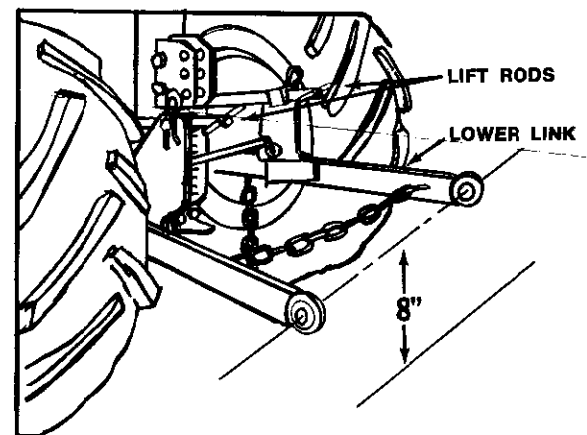


FIG. IV

FIG. V

Attach stabilizer chains to lower link pins at tractor. DO NOT TIGHTEN STABILIZER CHAIN.

Attach cultivator to lower links. Secure with spring pins.

Connect upper link to tractor in center hole, and to lower hole in cultivator "A" frame. Secure with hitch pin and spring pin. Adjust upper link so cultivator rests level on the ground.

Tighten stabilizer chains to prevent side sway of cultivator during operation.

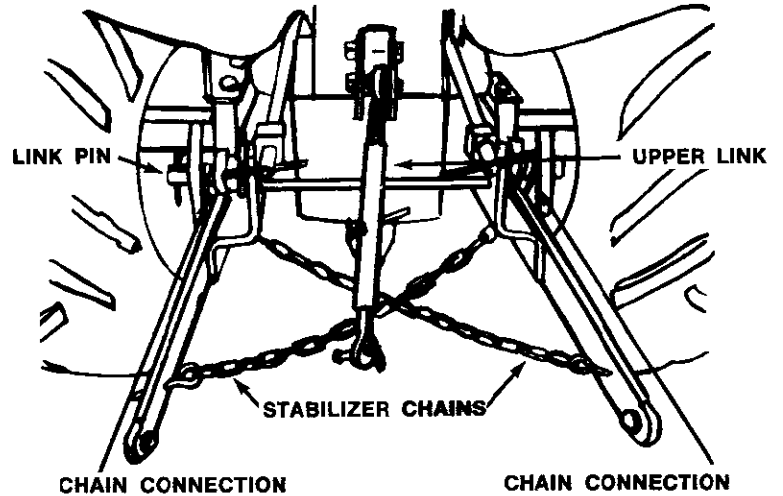


FIG. V

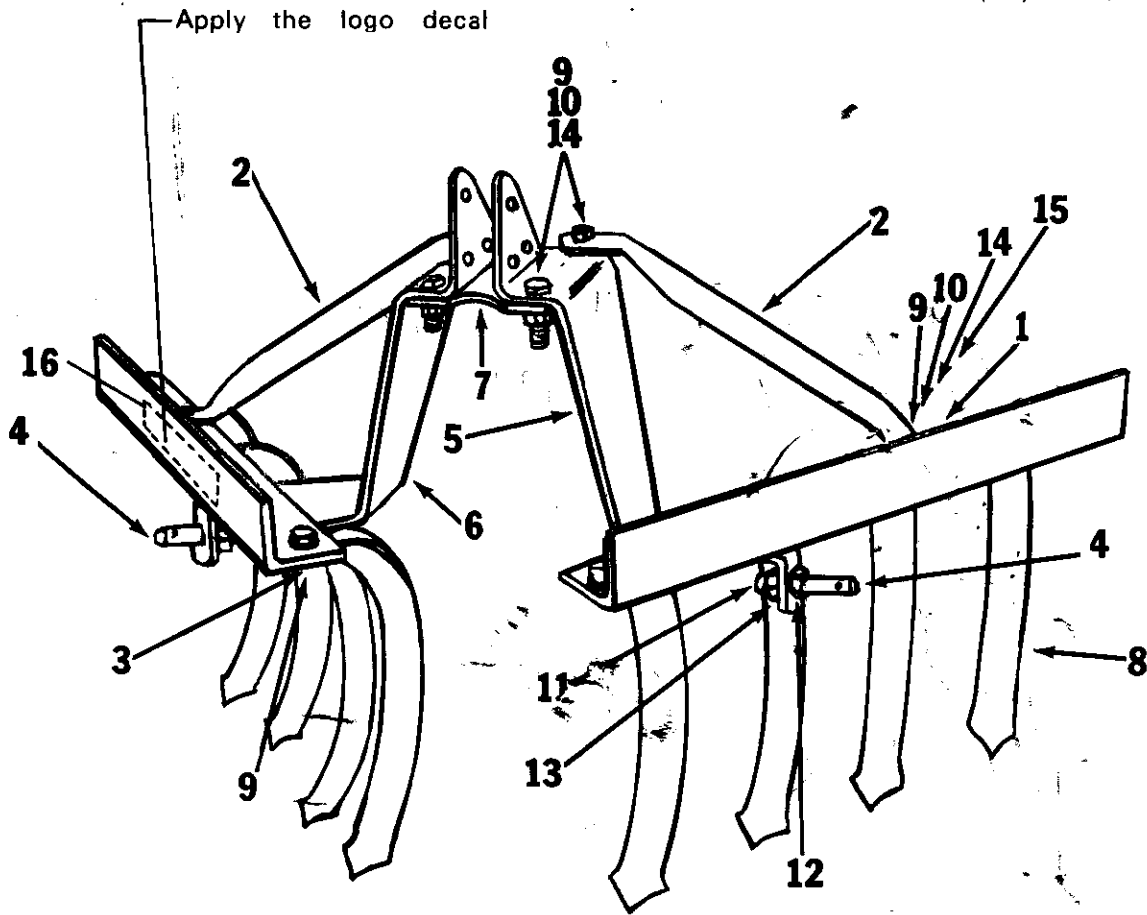
OPERATION:

Final cultivator adjustment and spring shank placement will be determined by type and row spacing of crop being cultivated. Lengthening or shortening of upper link will cause front or rear shovels to dig shallow or deeper. When cultivating in light, loose soils, hydraulic lift lever may be set in float position. However, if soil is heavy, crusted, or heavily weeded, set hydraulic lift lever in a down-locked position. Refer to **Tractor Manual** for operation of hydraulic lift and controls. Additional weight may be added to cultivator frame for better penetration when operating in hydraulic float position.

NOTES:

TO ORDER PARTS:

P.O. Box 1116
 Louisville, Ky. 40201
 (502) 585-3351



REPAIR PARTS LIST, MODEL CC-1000 CULTIVATOR

| Ref. No. | Part No. | Description | Ref. No. | Part No. | Description |
|----------|-----------|---|----------|----------|---------------------------|
| 1 | B-719-10 | Frame Angle | 8 | C-352-10 | Spring Shank |
| 2 | B-720-10 | Frame Strut | 9 | 2M1628P | Hex Bolt, 1/2-13 x 1 3/4" |
| 3 | B-723P | Washer, 1/2" I.D., 3/8" Thick (Special) | 10 | 30M1600P | Hex Nut, 1/2" |
| 4 | B-724P-01 | Pivot Link (Lower Link Pin) | 11 | 30M2000P | Hex-Nut, 5/8" |
| 5 | B-1361-10 | "A" Frame, L.H. | 12 | 31M2000P | Hex Nut, (Jam) 5/8" |
| 6 | B-1362-10 | "A" Frame, R.H. | 13 | 40M2000P | Lock Washer, 5/8" |
| 7 | B-1363-10 | Spacing Plate | 14 | 40M1600P | Lock Washer, 1/2" |
| | | | 15 | 45M1717P | Plain Washer, 1/2" |
| | | | 16 | B-4685 | Logo Decal |